

# UFP-0244 Flake Ice Machines

## Model

 UFP-0244A


Model UFP-0244A  
Flake Ice Machine

## Standard Features

- Up to 125 kg (276 lbs) daily flake ice production.
- Up to 20kg (44 lbs) ice storage capacity.
- Flake ice is perfect for food display, salad bars, and cold therapy/healthcare.
- High load maintenance free bearings for enhanced reliability.
- Heavy duty stainless steel cabinet resists corrosion.
- Easy access door, slides up & out of the way.



## Standard Equipment

### UFP-0244A

Ice Scoop, 6" Bin Legs, Alternate Low Profile Legs Standard Legs Adjustable from 4-1/2" to 6" Low Profile Non-Adjustable 1/4"

## Ice Machine Electric

220-240/50/1 ice machines are factory pre-wired with a 6' (180 cm) power cord with no plug.

**Ave. power consumption:** 470 W

**Maximum fuse size:** 10 amps.

HACR-type circuit breakers can be used in place of fuses

## Specifications

### Condenser Heat of Rejection (BTU per hour):

2,865 (average)

### Compressor:

Nominal rating: 1/3 HP

### Refrigerant:

R290

### Operating Limits:

- Ambient Temperature Range: 50°-110°F (10°-43°C)
- Water Temperature Range: 37°-90°F (3°-32°C)
- Water Pressure Ice Maker Water In: Min. 14 psi (1 bar) Max. 84 psi (6 bar)

## Ice Shape

Flake ice is small hard bits of ice ideally suited for presentation applications.



Ice shown actual size



COMPANY WITH  
QUALITY SYSTEM

[www.manitowocice.com](http://www.manitowocice.com)

Welbilt Deutschland GmbH  
Auf der Weih 11  
D - 35745 Herborn,  
Germany  
Tel.: +49 27 72 58 050  
[welbilt.com.de](http://welbilt.com.de)

Welbilt Iberia, S.A.U  
Textil, 6 - Pol.Ind. La Ferreria  
- 08110 Montcada i Reixac  
Barcelona, Spain  
Tel.: +34 902 20 10 69  
[welbilt.com.es](http://welbilt.com.es)

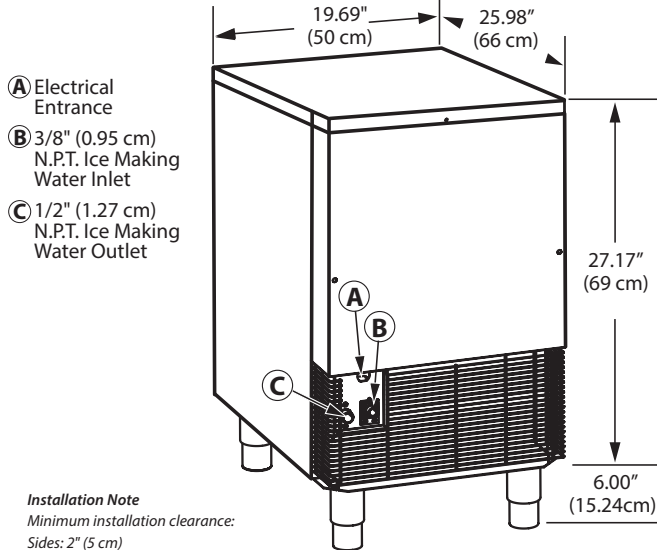
Welbilt UK  
Ashbourne House, The Guildway,  
Old Portsmouth Rd, Guildford  
GU3 1LR, United Kingdom  
Tel.: +44 1483 464900  
[www.welbilt.uk](http://www.welbilt.uk)





# UFP-0244 Flake Ice Machines

## UFP-0244



**Installation Note**  
 Minimum installation clearance:  
 Sides: 2" (5 cm)  
 Back: 8" (20 cm)

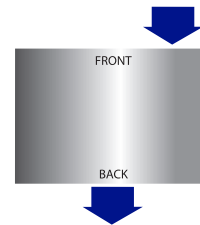
## Space-Saving Designs



	<b>UFP-0244A</b>
Height	33.17" 84.24 cm
Width	19.69" 50.00 cm
Depth	25.98" 66.00 cm
Bin Storage	44 lbs. 20 kgs

Height includes adjustable bin legs 4.50" to 6.00" (11.43 cm to 15.24 cm) set at 6.00" (15.24 cm).

### Air Flow Overhead View



Air-cooled Ice Machine	Model	Ice Shape	Ice Production 24 Hours		Power kWh/100 lbs @ 90° Air/70°F 32° Air/21°C	Potable Water Usage (100 lbs./ 45.4 kgs of Ice)	Bin Storage	Shipping Weight
			70° Air/50°F Water 21° Air/10°C Water	90° Air/70°F Water 32° Air/21°C Water				
UFP-0244A	Flake		249 lbs.	205 lbs.	4.99 kWh	12 gal. 45.4 L	44 lbs. 20 kgs	148 lbs 67 kg
			113 kgs	93 kgs				

"A" following model number indicates "Air" condensing unit.

**Welbilt Deutschland GmbH**  
 Auf der Weih 11  
 D - 35745 Herborn,  
 Germany  
 Tel.: +49 27 72 58 050  
[welbilt.com.de](http://welbilt.com.de)

**Welbilt Iberia, S.A.U**  
 Textil, 6 - Pol.Ind. La Ferreria  
 - 08110 Montcada i Reixac  
 Barcelona, Spain  
 Tel.: +34 902 20 10 69  
[welbilt.com.es](http://welbilt.com.es)

**Welbilt UK**  
 Ashbourne House, The Guildway,  
 Old Portsmouth Rd, Guildford  
 GU3 1LR, United Kingdom  
 Tel.: +44 1483 464900  
[www.welbilt.uk](http://www.welbilt.uk)

[www.manitowocice.com](http://www.manitowocice.com)

