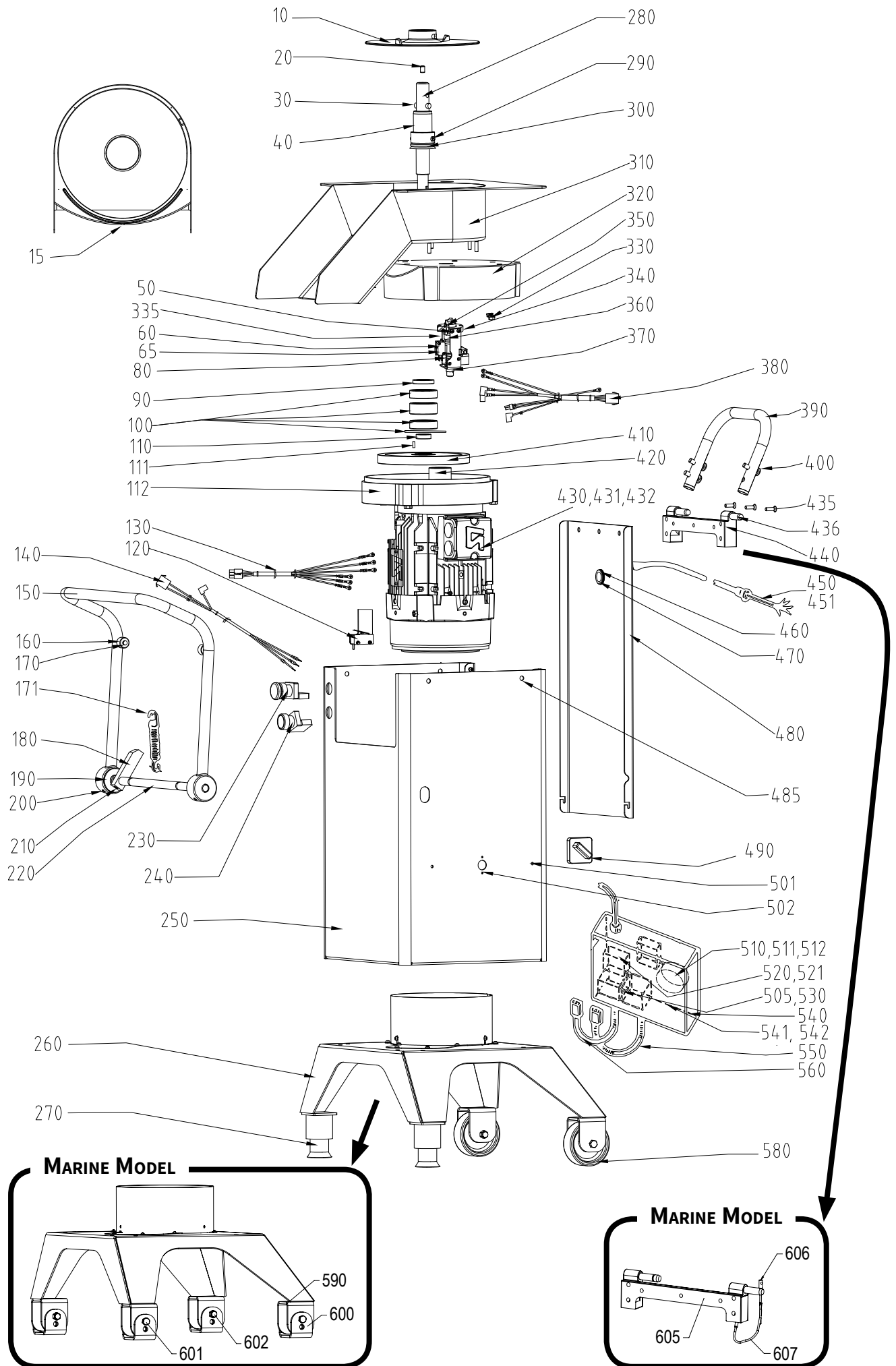


RG-400i



RG-400i

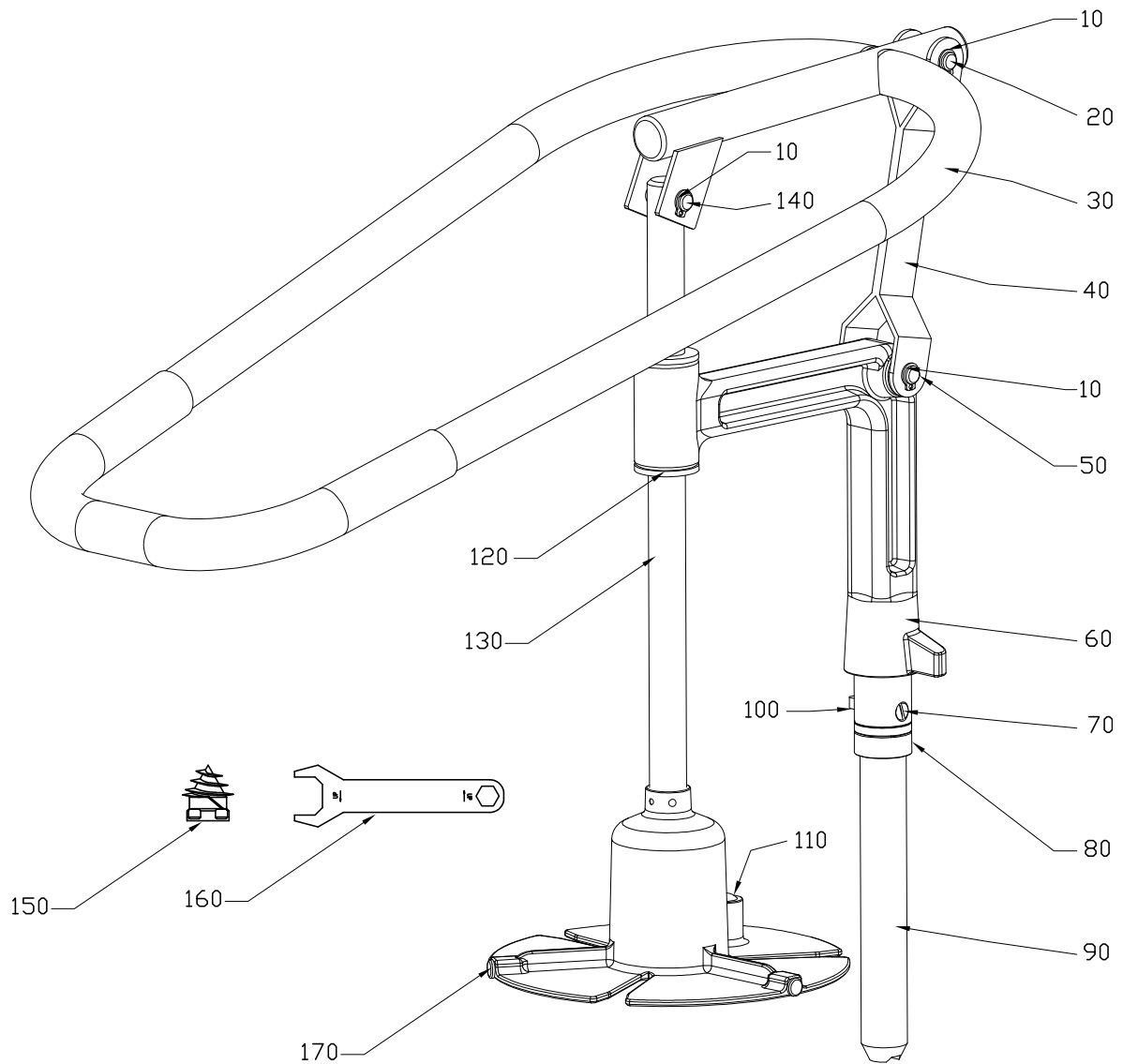
No. on drawing	Item No.	Description	Pcs
10	37042	Ejector plate	1
15	37297	Tray	1
20	14844	Locking screw PSS M8X 12 A2 70	1
30	40548	Carrier pin	1
40	37043	Sleeve	1
50	14853	Screw MRT M4X6 A2	4
60	37215	Micro switch unit kompl.	1
65	37245	Micro switch XGT2C-86-Z1	1
80	10324	Spring, safety switch 22510	1
90	10318	Seal ring 25X40X7	1
100	37152	Ball bearings kompl.	1
110	3056	Spacer ring 20/28	1
111	10321	Key PKR 6X6X16	1
112	37158	Motor bearer complete	1
120	37157	Micro switch complete	1
130	3194	Wiring loom motor	1
140	37135	Wiring loom machine	1
150	37017	Lock handle	1
160	37217	Roller locking handle	2
170	10326	Lock ring SGA 8 SS	2
171	3111	Tension spring	2
180	3108	Stopper for lock handle	1
190	3089	Bushing for lock handle	2
200	14849	Screw TSS 8X25 A2 70	2
210	14845	Screw TSS 8X15 A2 70	1
220	37020	Shaft lock handle	1
230	15439	Push button o complete	1
240	15440	Push button 1 complete	1
250	37075	Machine housing front part	1
260	37052	Base	1
270	37154	Feet complete	1
280	37072	Knife shaft complete	1
290	37059	Carrier pin for ejector plate	2
300	10311	Seal ring V-35S	1
310	37001	Knife chamber	1
320	37006	Gearbox top	1
330	14006	Nut M6M M6 A2 70	6
335	10539	O-ring 21.1X1.6	1
340	37047	Casing for switch	1
350	10325	Seal ring 17.1X1.6	2
360	37172	Shaft safety switch	1
370	37250	Bushing	1
380	37109	Wiring loom, machine	1
390	3110	Handle knifechamber	1
400	14375	Screw M6M M6 A2 70	4
410	37156	Gear wheel 173.2 complete	1
420	37155	Gear wheel 53.6 complet	1
430	15435	Motor 400-415 3 50	1
431	15433	Motor 220 3 50 4-8 RG-400	1
432	15432	Motor 208-220 3 60 UL	1
435	14269	Screw MKFS M6X25 A2 70	3
436	37171	Seal ring	1
440	37098	Hinge	1
450	15144	Supply cord CB 3 phse	1
451	3193	Supply cord US	1
460	15381	Cable ret PR 22.5 dia 15	1
470	15443	Nut PR 22.5/PG16 metal	1

RG-400i

No. on drawing	Item No.	Description	Pcs
480	37023	Machine housing back part	1
485	14464	Screw LSKS M6X16	4
490	15442	Pole changing switch incl knob	1
501	14428	Screw M4x20 A2 70	2
502	14853	Screw MRT M4X6 A2	2
505	15718	Varistor S20K510	1
510	15589	Transformer 208-240v 22-26v UL	1
511	15611	Transformer 400/380V-24 50VA	1
512	15689	Transf. 440-415V 24 100VA 80C	1
520	15814	Overl. rel. RF12400	1
521	15816	Overload RF120630	1
530	15825	Contactora 11BG0910A024	2
540	15587	Box CT-841	1
541	15152	Fuse	1
542	15672	Insulation sleeve 6.3-0.8 Flag	1
550	3195	Wiring loom pole changing	1
560	3192	Wiring loom electrical box	1
580	37153	Wheel complete	1
590	37501	Base Marine	1
600	37503	Weld plate	4
601	14553	Screw M6S M8X70 A2 70	4
602	14028	Nut MHM M8	4
605	37509	Hinge Marine	1
606	37511	Hinge locking pin	1
607	37513	Wire	1

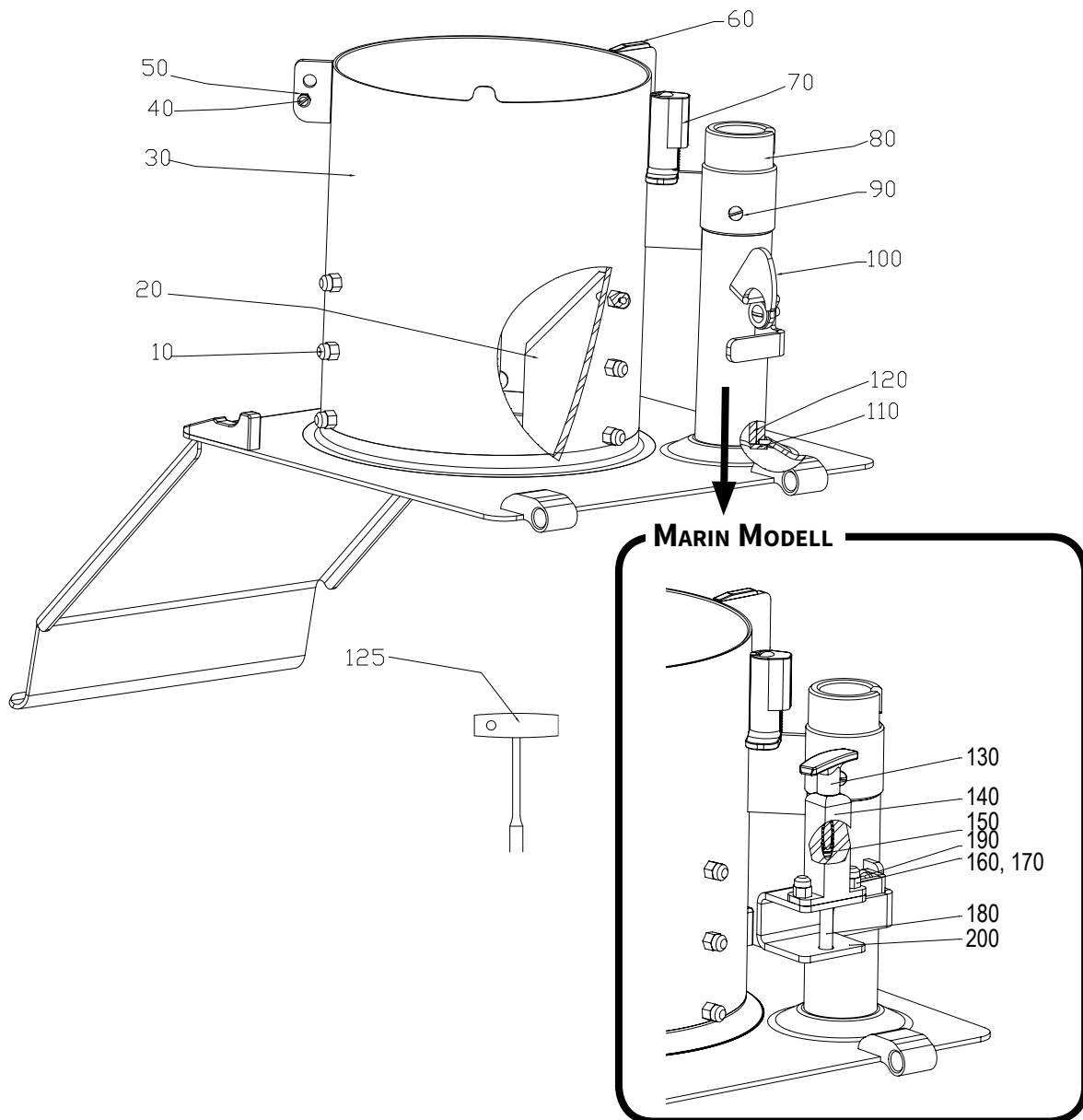
RG-400i/ RG-400 MANUAL PUSH FEEDER, ERGO LOOP

No. on drawing	Item No.	Description	Pcs
10	10335	Lock ring SGA 10	6
20	3298	Pivot L=38	1
30	33431	Push handle Ergo	1
40	3066	Link	1
50	3297	Pivot L=51	1
60	37148	Stand complete	1
70	14149	Screw MFS M5X16	1
80	37244	Bushing	1
90	37160	Shaft stand	1
100	3212	Pin for stand L=28	1
110	10452	Plug SFL 14	1
120	3074	Bushing for stand	2
130	37061	Feeder plate including shaft	1
140	3299	Pivot L=34	1
150	3129	Decorating device 3ph	1
160	3162	Wrench	1
170	3257	Guide knob	3



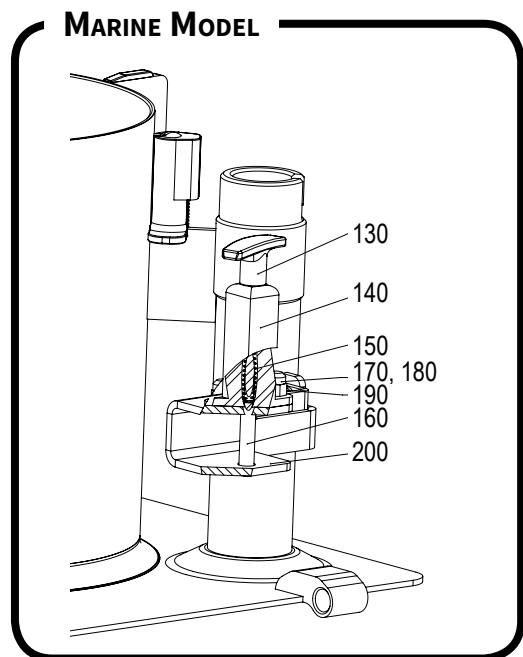
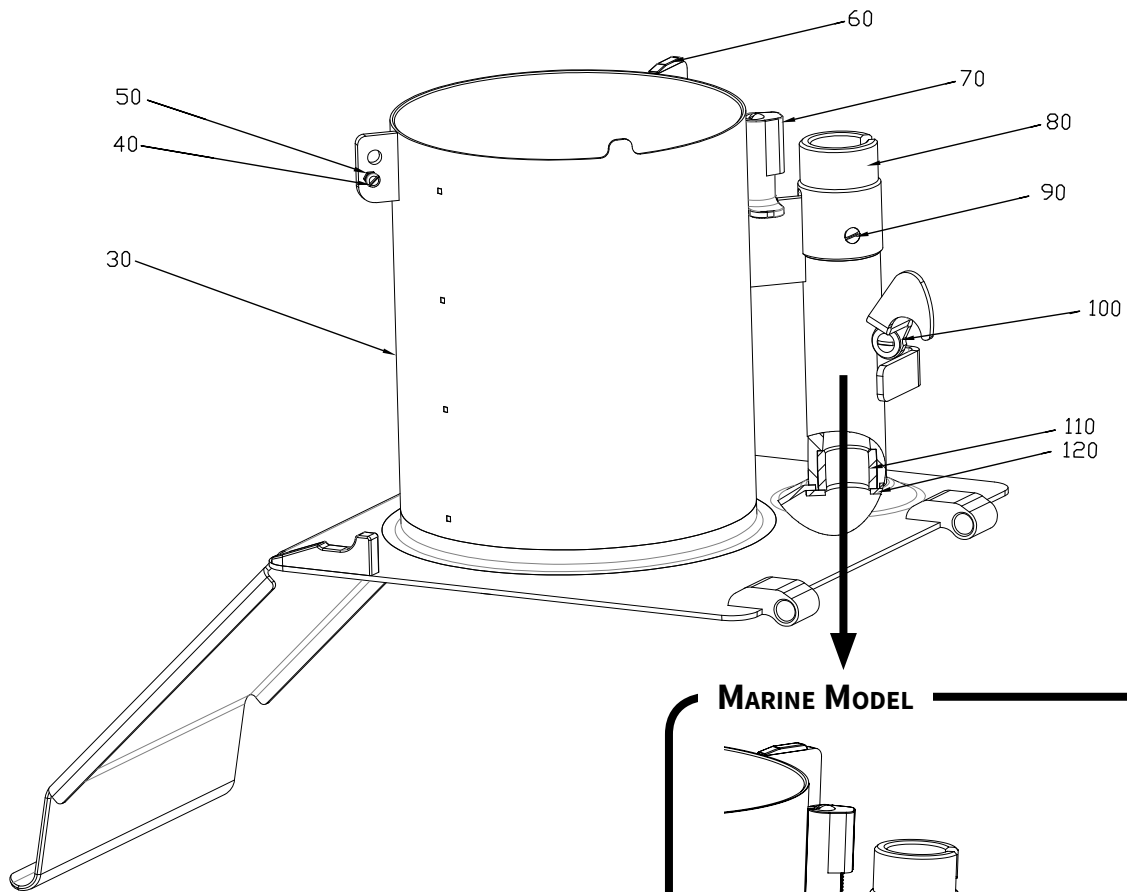
RG-400i FEED CYLINDER A

No. on drawing	Item No.	Description	Pcs
10	3233	Nut M5	9
20	3134	Knife	3
30	37024	Feed cylinder RG400i	1
40	14326	Screw MCS M4X16	1
50	14004	Nut M6M M4 A2 70	1
60	37097	Slide knob	1
70	37149	Stopper complete	1
80	3253	Bayonet sleeve	1
90	14243	Screw MKFS M5X10	2
100	37162	Locking clutch complete	1
110	37151	Bushing holder complete	1
120	37243	Bushing	1
125	10521	Socket wrench NV10	1
130	37507	T handle	1
140	37505	Locking house	1
150	37508	Spring	1
160	14148	Screw MFS M5X14	2
170	3233	Nut M5	2
180	37506	Locking pin	1
190	14362	Screw MCS M6x8 A4	2
200	37512	Holder Marine	1

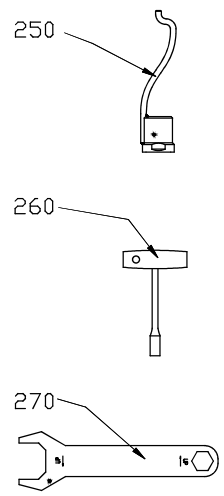
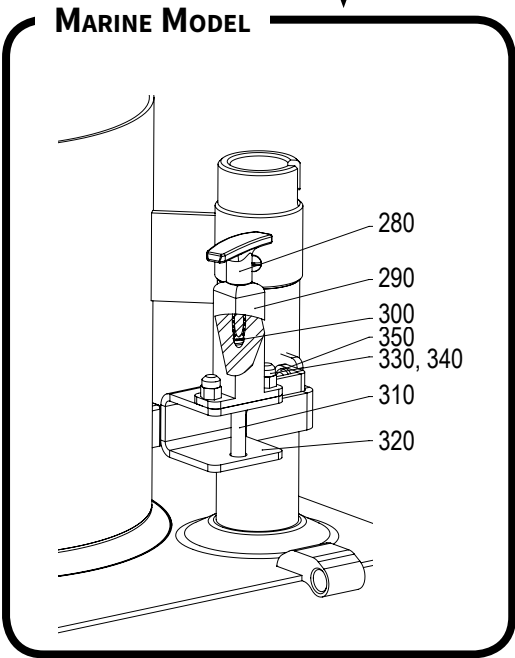
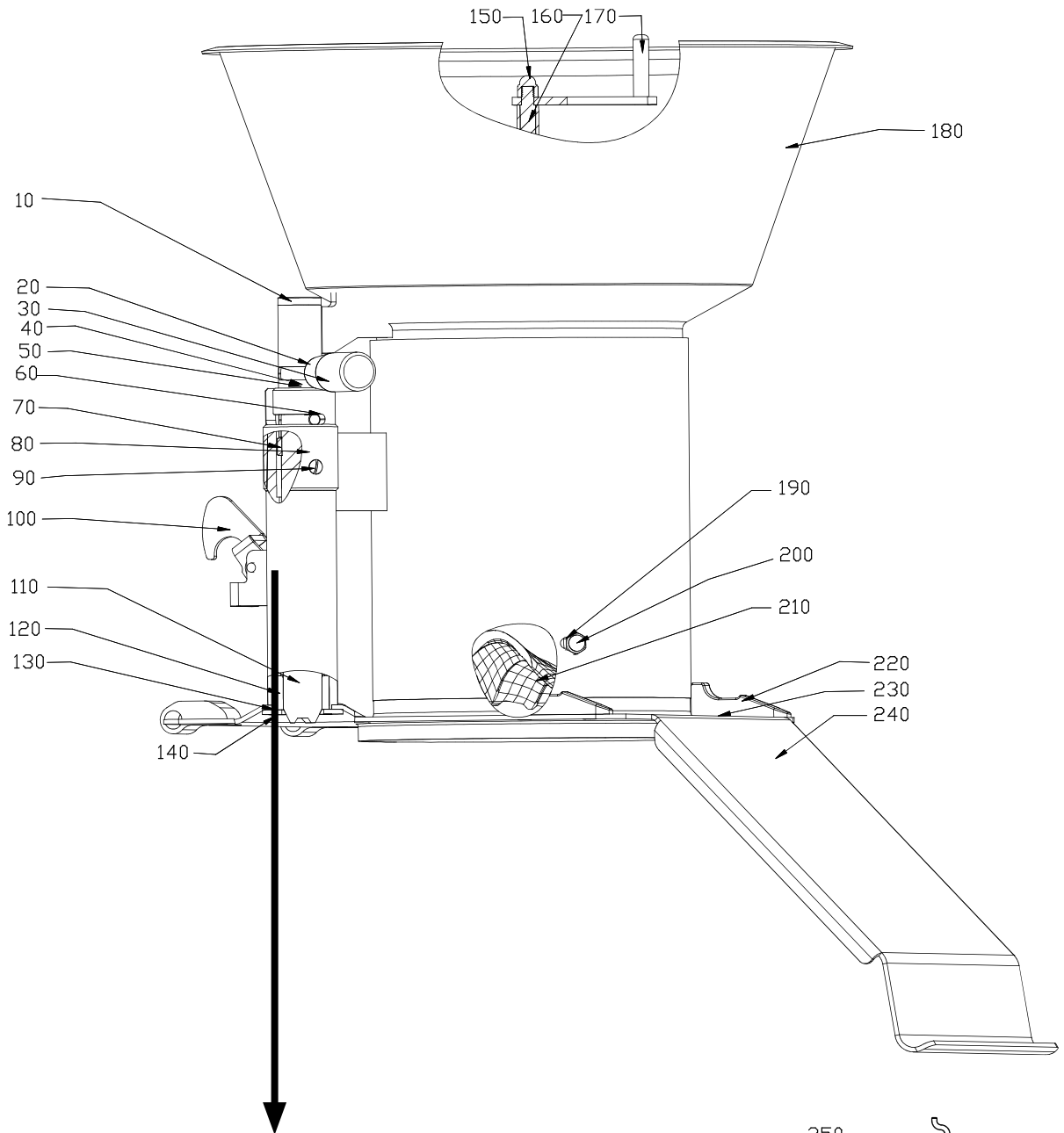


RG-400i FEED CYLINDER B

No. on drawing	Item No.	Description	Pcs
30	37204	Manual feed cylinder RG400i	1
40	14326	Screw MCS M4X16	1
50	14004	Nut M6M M4 A2 70	1
60	37097	Slide knob	1
70	37149	Stopper complete	1
80	3253	Bayonet sleeve	1
90	14243	Screw MKFS M5X10	2
100	37162	Locking clutch complete	1
110	37243	Bushing	1
120	37151	Bushing holder complete	1
130	37507	T handle	1
140	37505	Locking house	1
150	37508	Spring	1
160	37506	Locking pin	1
170	14148	Screw MFS M5X14	2
180	3233	Nut M5	2
190	14362	Screw MCS M6x8 A4	2
200	37512	Holder Marine	1



RG-400i FEED HOPPER



RG-400i FEED HOPPER

No. on drawing	Item No.	Description	Pcs
10	10345	Plug GL 28 black	1
20	3149	Stud screw	1
30	10343	Handle I280/65-M8	1
40	10453	Spring 1X5X17	1
50	10454	Ball RB-6.35	1
60	3131	Bayonet pin	1
70	3266	Bushing	1
80	3253	Bayonet sleeve	1
90	14243	Screw MKFS M5X10	2
100	37162	Locking clutch complete	1
110	37226	Shaft w. bushing	1
120	37243	Bushing	1
130	37100	Bushing holder	1
140	14101	Screw	3
150	14028	Nut MHM M8	1
160	3246	Stirrer for hopper	1
170	3311	Agitator arm	1
180	33328	Hopper insert complete	1
190	14026	Domed head nut MHM M6	4
200	14865	Stud screw SK6SS A4	4
210	37081	Guide	2
220	37022	Locking distance	2
230	14121	Screw MFS M4X6 A2 70	4
240	37103	Feed cylinder for hopper RF	1
250	3249	Agitator device complete	1
260	10521	Socket wrench NV10	1
270	3162	Wrench	1
280	37507	T handle	1
290	37505	Locking house	1
300	37508	Spring	1
310	37506	Locking pin	1
320	37512	Holder Marine	1
330	14148	Screw MFS M5X14	2
340	3233	Nut M5	2
350	14362	Screw MCS M6x8 A4	2

RG-400i / RG-400 PNEUMATIC PUSH FEEDER

No. on drawing	Item No.	Description	Pcs
60	3106	Bearing holder	1
70	10348	Bushing PM12/14X15DX	2
80	3101	Nut M18	1
90	3080	Operation rod	1
100	37040	Piston	1
110	3257	Guide knob	3
120	14224	Screw MKFS M4X12	4
130	3295	Nut M16X1,5 low	1
140	14542	Screw M6S M8X16H A2 70	4
160	10329	Plug IR20/40/1,5 S	1
170	10367	Sign 1-3-2	1
180	14374	Screw MCS M8X20 A2 70	1
190	3099	Cap	1
200	14012	Nut M6M M12	1
210	3105	Thrust washer	1
220	14230	Screw MKFS M4X30	2
230	14004	Nut M6M M4 A2 70	3
240	14084	Lock washer FBB 4.1 A2	2
270	3129	Decorating device 3ph	1
275	3162	Wrench	1
300	10109	Valve 234-000	2
310	10354	Valve 245 000	2
320	10392	Regulator Compl.	1
330	10356	Valve reducer MCO-702-M5	2
350	10112	Adaptor 5180 1/4	1
360	10357	Quick connector 5084-10/8	1
370	10120	Tee nipple 1/4	1
380	10358	Coupling 6512-4-M5	2
390	10095	Coupling 6510-8-1/4	2
400	10359	Coupling 6510-8-1/8	2
410	10117	Elbow coupling 6520-4-1/8	3
415	10097	Elbow coupling 6520-4-1/8	1
420	10360	Elbow coupling 6520-8-1/8	1
430	10361	Elbow coupling 6520-4-1/4	1
440	10119	Cross coupling 6600-4	1
450	10362	Coupling Y 6560-4	2
460	10363	Silencer 2991-1/8	1
470	10364	Silencer 2905-M5	2
480	10492	Push button 200-895 start/stop	2
500	10234	Hose PA12 4-2.7	1
510	10235	Hose PUR-8/5.7	1
520	10368	Hose PV10/8	1
550	10493	Twist knob speed control	1
570	10490	Cylinder complete	1
571	33311	Gasket kit for cylinder	1
580	10352	Valve 358-033-1/8	1
590	10108	Valve 234-945	2
600	10353	Valve or 81540 001	1
610	10240	Valve 7880-08-13	1
620	10546	T-coupling	1
630	10547	Reduce	1
640	10548	Gauge	1

RG-400i 4-TUBE INSERT

No. on drawing	Item No.	Description	Pcs
10	10345	Plug GL 28 black	1
20	3254	Stand	1
30	3149	Stud screw	1
40	10343	Handle I280/65-M8	1
50	10454	Ball RB-6.35	1
60	10453	Spring 1X5X17	1
70	3131	Bayonet pin	1
80	37137	Bushing	1
90	37139	Shaft w. bushing M99	1
100	14028	Nut MHM M8	2
110	14088	Lock washer FBB 8.2 A2	2
120	37064	4-tube insert	1
130	3257	Guide knob	3
135	37138	Spacer 16	2
140	10455	Plug IKPT 1715S	2
150	3279	Sign warning	1
160	10329	Plug IR20/40/1,5 S	1
170	14394	Screw MC6S M8X40	2
200	3139	Pestle dia. 55	1
210	3138	Pestle dia. 31	1
220	3204	Locking bolt TR12V	1
230	3162	Wrench	0

