



POTATO PEELER PP-12+

Output: 12 Kg. per cycle.



- ✓ Depth with stand: 700 mm
 - ✓ Height with stand: 1015 mm
- Net weight: 38 Kg

Noise level (1m.): 70 dB(A)
Background noise: 32 dB(A)

AVAILABLE MODELS

1000420	Potato peeler PP-12+ 230-400/50/3 ·370W
1000421	Potato peeler PP-12+ 230/50/1 ·400W
1000422	Potato peeler PP-12+ 220-380/60/3
1000423	Potato peeler PP-12+ 220/60/1
1000426	Potato peeler PP-12+ 440/60/3
1000427	Potato peeler PP-12+ 120/60/1

* Ask for special versions availability

SALES DESCRIPTION

Aluminium made potato peeler.

Aluminium body potato peeler. Abrasive peeling. The abrasive is highly resistant and long lasting.

- ✓ Base Plate and chamber walls lined with abrasive.
- ✓ Aluminium body.
- ✓ Directable cylinder.
- ✓ Integral control panel complete with on/off push buttons and a 0-6 minute timer.

OPTIONAL

- Stainless steel floor stand.
- Water inlet kit (2003971).
- Filter with no-foam feature.

ACCESSORIES

- Stands for potato peelers PP / PPC
- Filters for potato peelers PP / PPC

SPECIFICATIONS

Hourly production: 220 Kg / 300 Kg

Capacity per load: 12 Kg

Timer (min-max): 0' - 6'

Plate speed: 317 rpm

Total loading: 400 W (1~) / 370 W (3~)

External dimensions (WxDxH)

- ✓ Width: 395 mm
- ✓ Depth: 700 mm
- ✓ Height: 503 mm

External dimensions with stand

- ✓ Width with stand: 411 mm

DYNAMIC PREPARATION
COMMERCIAL POTATO PEELERS

product sheet
updated 21/10/2022



SAMMIC, S.L.
Bassaife, 1 - 20720 Azzovita
www.sammic.com

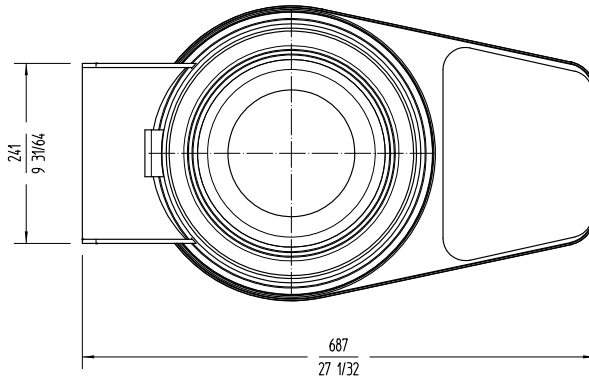
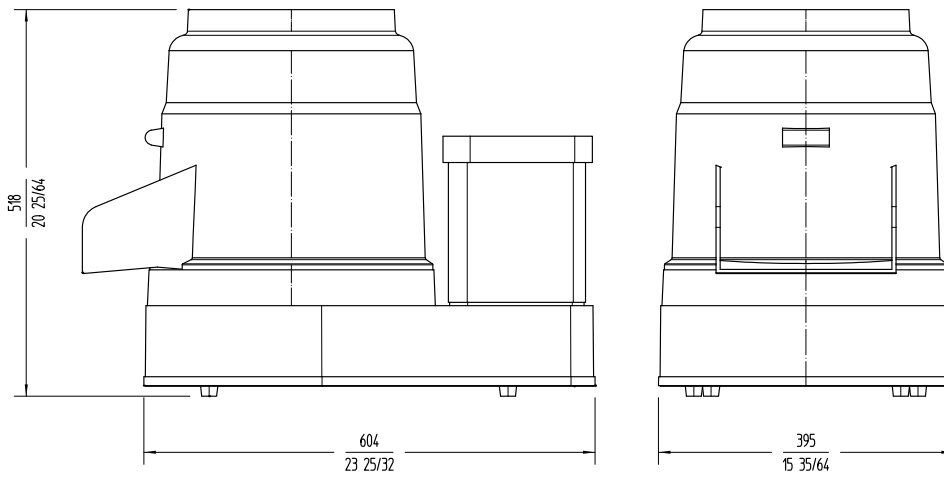


POTATO PEELER PP-12+

Output: 12 Kg. per cycle.



DYNAMIC PREPARATION
COMMERCIAL POTATO PEELERS



www.sammic.co.uk

Food Service Equipment Manufacturer

Unit 2, Trevanah Road
Troon Industrial Park
LE4 9LS - Leicester

uksales@sammic.com
Tel.: +44 0116 246 1900



Project

Date

Item

Qty

Approved

product sheet
updated 21/10/2022