



# POTATO PEELER PP-6+ / PPC-6+

Output: 6 Kg. per cycle. Aluminium made potato peeler.



## FEATURES AND BENEFITS

Aluminium body potato peeler. Abrasive peeling. The abrasive is highly resistant and long lasting.

- ✓ Base Plate and chamber walls lined with abrasive.
- ✓ Aluminium body.
- ✓ PPC: Equipped with attachment drive to power accessories.
- ✓ Directable cylinder.
- ✓ Integral control panel complete with on/off push buttons and a 0-6 minute timer.

## INCLUDES

- ✓ Attachment drive to power accessories (PPC model).

## SALES DESCRIPTION

PPC: Equipped with attachment drive to power accessories.

DYNAMIC PREPARATION  
COMMERCIAL POTATO PEELERS



**www.sammic.co.uk**  
 Food Service Equipment Manufacturer  
 Unit 2, Trevanth Road  
 Troon Industrial Park  
 LE4 9LS - Leicester  
 uksales@sammic.com  
 Tel.: +44 0116 246 1900



Project	Date
Item	Qty
Approved	

product sheet  
updated 06/03/2018



# POTATO PEELER PP-6+ / PPC-6+

Output: 6 Kg. per cycle. Aluminium made potato peeler.



## SPECIFICATIONS

Hourly production: 120 Kg / 150 Kg

Capacity per load: 6 Kg

Timer (min-max): 0' - 6'

Plate speed: 317 rpm

### External dimensions (WxDxH)

✓ Width: 395 mm

✓ Depth: 700 mm

✓ Height: 433 mm

### External dimensions with stand

✓ Width with stand: 411 mm

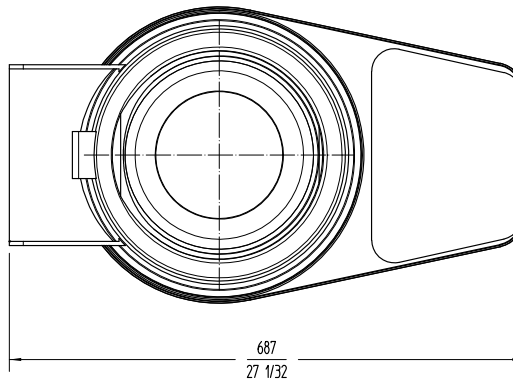
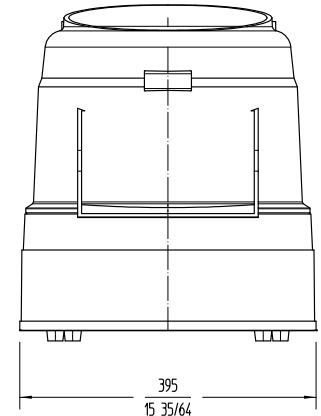
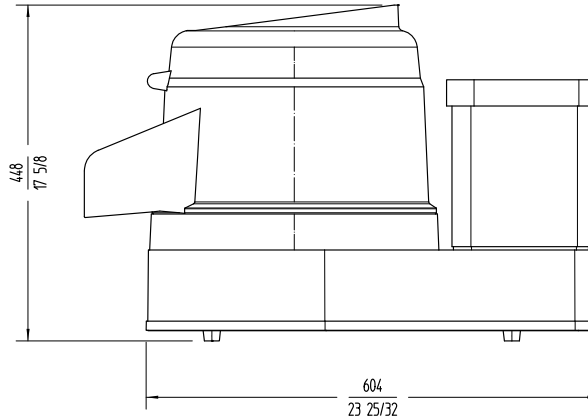
✓ Depth with stand: 700 mm

✓ Height with stand: 945 mm

Net weight: 37 Kg

**Noise level (1m.):** 70 dB(A)

**Background noise:** 32 dB(A)



## AVAILABLE MODELS

1000410 Potato peeler PP-6+ 230-400/50/3 ·370W

1000411 Potato peeler PP-6+ 230/50/1 ·400W

1000430 Potato peeler PPC-6+ 230-400/50/3 ·550W

1000431 Potato peeler PPC-6+ 230/50/1 ·550W

\* Ask for special versions availability

## ACCESSORIES

- Vegetable preparation attachment CR-143
- Meat mincer attachment HM-71
- Potato masher attachment P-132
- Stands for potato peelers
- Filters for potato peelers

DYNAMIC PREPARATION  
COMMERCIAL POTATO PEELERS



[www.sammic.co.uk](http://www.sammic.co.uk)

Food Service Equipment Manufacturer

Unit 2, Trevanah Road  
Troon Industrial Park  
LE4 9LS - Leicester

[uksales@sammic.com](mailto:uksales@sammic.com)  
Tel.: +44 0116 246 1900



Project

Date

Item

Qty

Approved

product sheet  
updated 06/03/2018