

Spare parts list

SC 710 A

Item number: 765041947
Release date: 11.05.16
Released by: JABP
Revision date: 05.05.25
Revision no.: 008

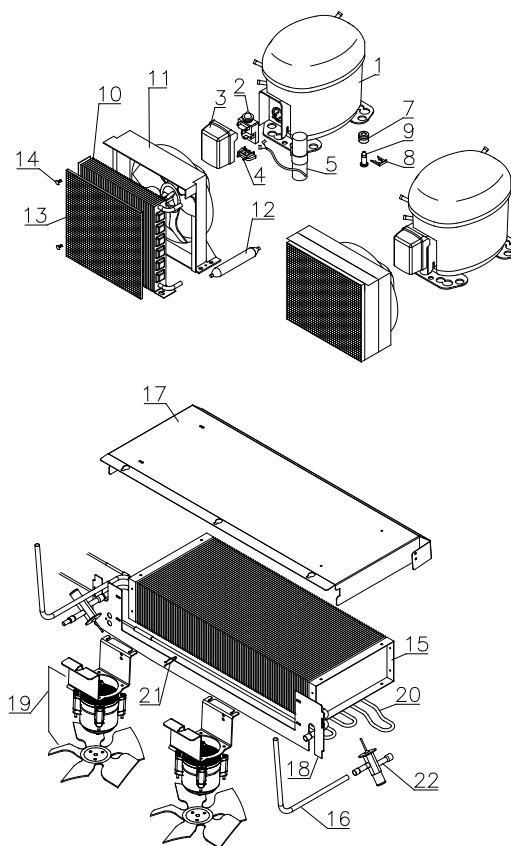
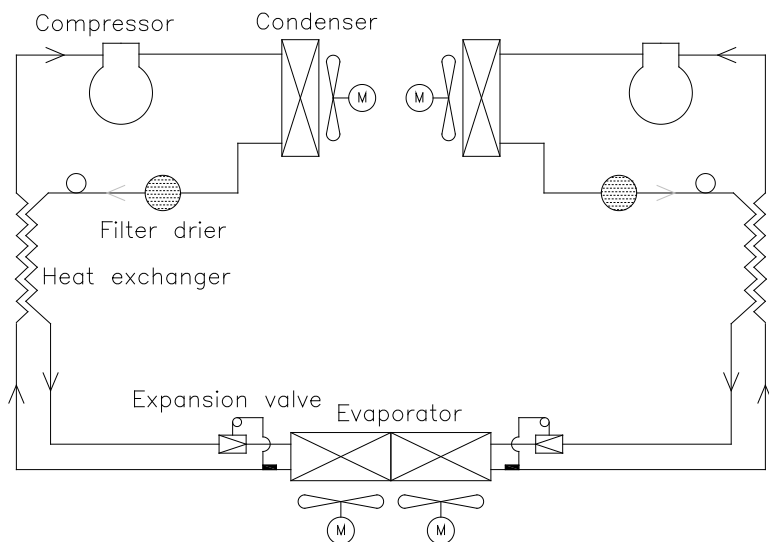
Gram Scientific ApS
Aage Grams Vej 1
6500 Vojens, Denmark

Content

Refrigeration system parts	3
Sensors and sensor positioning	5
Cabinet parts	6
Electrical parts	7
Door	8
Notes	9

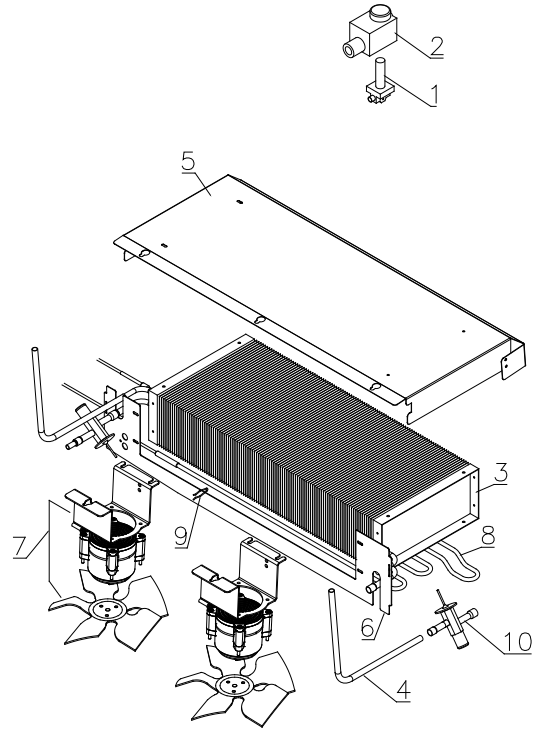
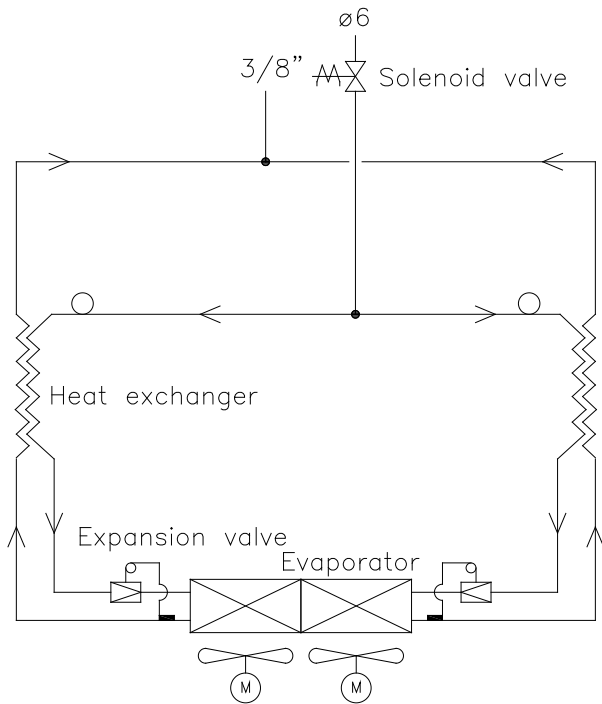
Refrigeration system parts

SC 710 G



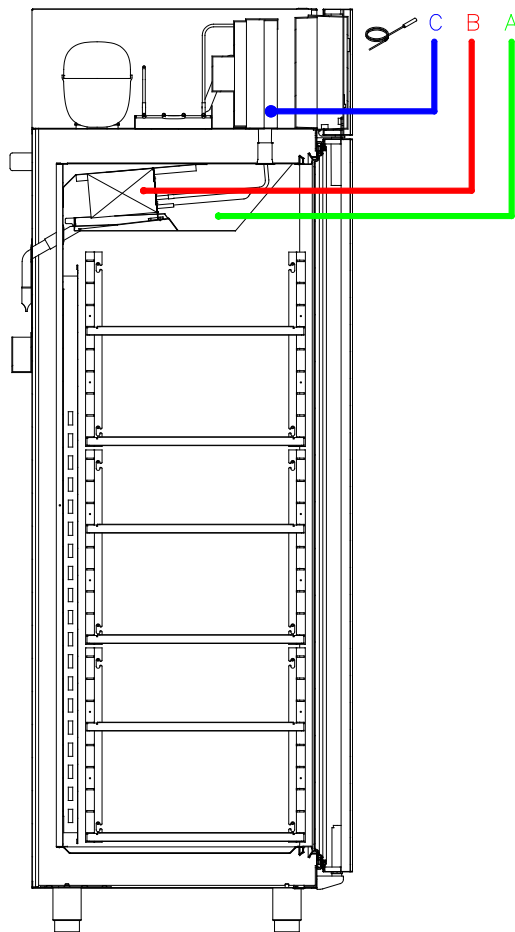
Item no.	Description	Gram part no.	Issued	Deleted
1	Compressor SC15CNX.2	502900007	3116	
2	Start relay	410589041	3116	
3	Cover	452440280	3116	
4	Cord relief	452440292	3116	
5	Start capacitor 80 μ F	451720020	3116	
7	Rubber bush	760080519	3116	
8	Compressor clip	760082367	3116	
9	Compressor screw	760082711	3116	
10	Condenser	765080166	3116	
11	Fan guard	765080190	3116	
12	Filter drier	765080159	3116	
13	Air filter	761114423	3116	
14	Attachment plug	765081250	3116	
15	Evaporator	765080535	3116	
16	Heat exchanger	760080963	3116	
17	Evaporator suspension	763256252	3116	
18	Evaporator cover	763256307	3116	
19	Evaporator fan	761250780	3116	
20	Defrost heater	765072061	3116	
21	Clip for defrost heater	761254427	3116	
22	Expansion valve	413165018	3116	

SC 710 F



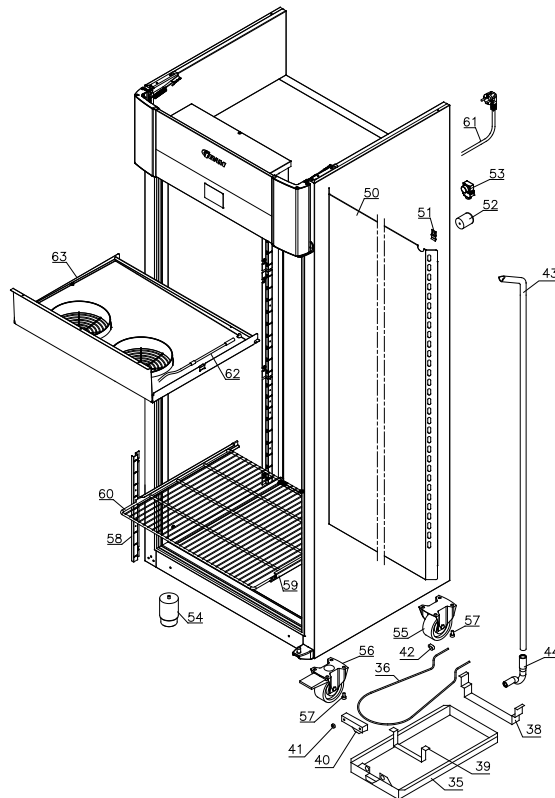
Item no.	Description	Gram part no.	Issued	Deleted
1	Solenid valve	410104002	3116	
2	Coil for solenoid valve	610296105	3116	
3	Evaporator	765080535	3116	
4	Heat exchanger	760080963	3116	
5	Evaporator suspension	763256252	3116	
6	Evaporator cover	763256307	3116	
7	Evaporator fan	761250780	3116	
8	Defrost heater	765072061	3116	
9	Clip for defrost heater	761254427	3116	
10	Expansion valve R404A	413165027	3116	
10	Expansion valve Ru1	413165023	3116	

Sensors and sensor positioning



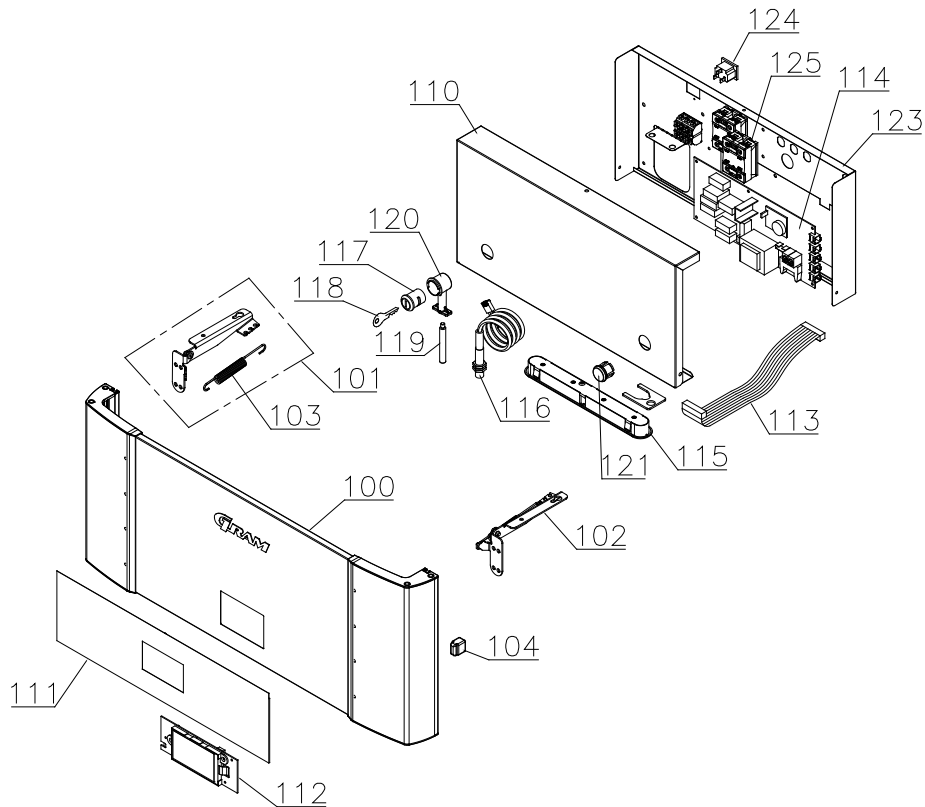
Item no.	Description	Gram part no.	Issued	Deleted
A	Room sensor	453531500	3116	
B	Defrost sensor	453531501	3116	
C	Condenser sensor	453531500	3116	

Cabinet parts



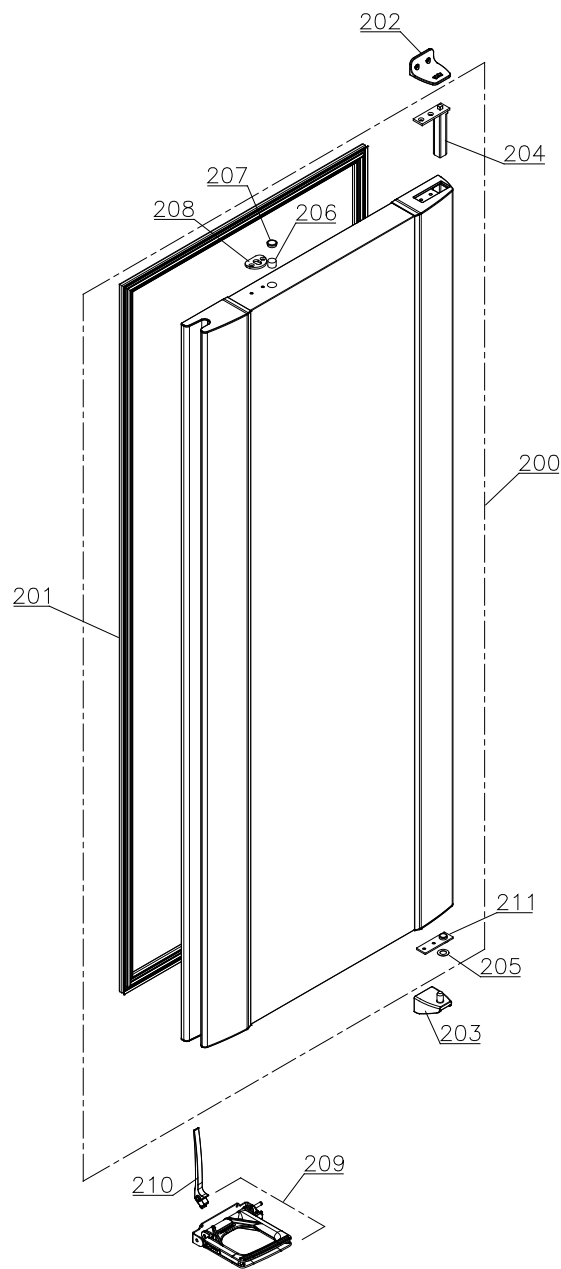
Item no.	Description	Gram part no.	Issued	Deleted
35	Re-evaporation tray	761254264	3116	
36	Re-evaporation heater	765070118	3116	
37	Water trap	760082891	3116	
38	Re-evaporation tray holder	761254366	3116	
39	Heater bracket	761253603	3116	
40	Heater/re-evap. tray suspension	761254376	3116	
41	Bush for suspension	761254346	3116	
42	Cable bracket	452470031	3116	
43	Drain pipe	765081184	3116	
44	Water trap	765081176	3116	
50	Air distribution plate	763252604	3116	
51	Bracket	760250762	3116	
52	Distance bush	762251184	3116	
53	Air relief valve	765081206	3116	
54	Leg H=100-135 mm	765080118	3116	
54	Leg H=135-200 mm	765080115	3116	
55	Fixed castor H=109 mm	480270521	3116	
55	Fixed castor H=125 mm	480270520	3116	
56	Swivel castor H=109 mm	480270522	3116	
56	Swivel castor H=125 mm	480260050	3116	
57	Screw M8x12	422715000	3116	
58	Wall rail	763251903	3116	
59	Shelf support set of 2	818885003	3116	
60	Stainless wire shelf	818799967	3116	
60	Grey wire shelf	818799968	3116	
61	Power cord EU	765072566	3116	
61	Power cord UK	765072567	3116	
61	Power cord DK	765072568	3116	
62	Drain line heater	761250763	3116	
63	Drip tray complete	763256454	3116	

Electrical parts



Item no.	Description	Gram part no.	Issued	Deleted
100	Front panel complete, Stainless	763254101	3116	
101	Hinge complete, left	763252060	3116	
102	Hinge complete, right	763252066	3116	
103	Spring	763252063	3116	
104	Panel spacer	763252058	3116	
110	Junction box, front part	763252191	3116	
111	Display label	765040686	3116	
112	Display PCB	612900053	3116	
113	Ribbon cable L=1200	453582046	3116	
114	Controller PCB, power part PR P25 G/H	763256014	3116	
114	Controller PCB, power part PR P22 F	763256016	3116	
115	LED light bar	450742025	3116	
116	Door switch	450400113	3116	
117	Lock comb. A151	765080322	3116	
118	Key A151	765080399	3116	
119	Lock pin	763252153	3116	0320
119	Lock pin	765080088	0320	
120	Lock housing	765080047	3116	
121	Plug for lock housing	763252152	3116	
122	Clip for LED bar	763252161	3116	
123	Junction box, back part	763252129	3116	
124	Appliance inlet	451022002	3116	
125	Solid State relay	450200300	3116	

Door



Item no.	Description	Gram part no.	Issued	Deleted
200	Door complete, right	763254030	3116	
200	Door complete, left	763254031	3116	
201	Gasket	763251717	3116	
202	Top hinge	763251747	3116	
203	Bottom hinge	763251746	3116	
204	Self closing device	763251774	3116	0519
204	Self closing device	763251880	0519	
205	Washer	760250527	3116	
206	Magnet for door switch	450401002	3116	
207	Plastic plug	760082756	3116	
208	Lock bracket	763251090	3116	
209	Foot pedal, right	763251812	3116	
209	Foot pedal, left	763251813	3116	
210	Pedal arm	763251802	3116	
211	Hinge bearing complete	761220982	3116	

Notes
