

## Soft-Chiller 500/710



The Soft-Chiller models are multifunctional cabinets for the modern production kitchen – where flexibility and functionality are key.

The two models have the same features, and with a temperature range from -30°C to +10°C, they can be used to refrigerate, freeze, or soft-chill as needed – whenever the kitchen requires it.

The Soft-Chiller runs with three different cooling programs: timed, hard, or gentle cooling to a set temperature – giving the kitchen full control over food safety and quality. Once the process cycle is completed, the units automatically return to storing the products at the set temperature.

All in all, a very versatile choice for the modern kitchen, where flexibility is needed without compromising quality. All in the well-known high quality from Gram Professional, ensuring stable operation and a long lifetime.

#### Standard equipment:

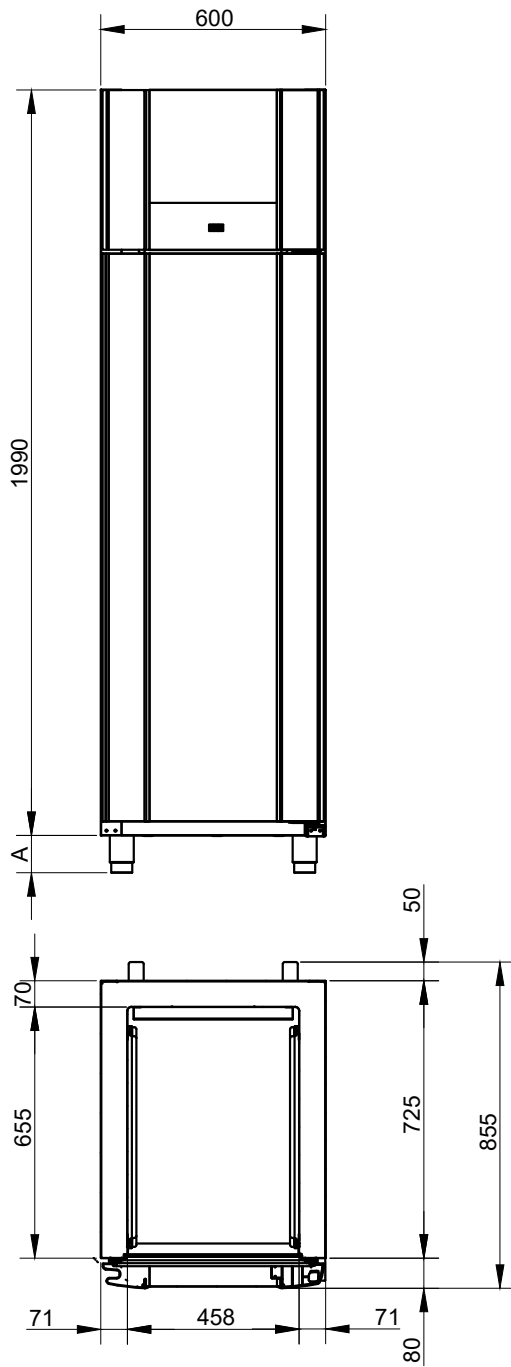
- Interior and exterior in stainless steel
- 5 stainless steel wire shelves
- Self-closing right-hinged reversible door with lock
- Efficient LED lighting
- Practical pedal door opener for hands-free access
- Removable heavy-duty door gasket
- Adjustable legs (135–200 mm)

#### Optional:

- Additional wire shelves and support rails
- Left-hinged door
- Castor set (128 mm)

	SC500 -30/+10°C	SC710 -30/+10°C
PRODUCT NAME	SC500 G S RA L2 5S A	SC710 G S RA L2 5S A
ITEM NUMBER	945180120	947180120
VOLUME (liter, gross/net)	465 / 319	614 / 458
ENERGY CONSUMPTION PER COOLING CYCLE (kWh/kg)	0,052	0,068
COOLING CAPACITY AT -10°C (W)	1705	2326
CLIMATE CLASS	5 (40°C/40% RH)	5 (40°C/40% RH)
DIMENSIONS W x D x H (mm)	600x855x2125	820x785x2125
GROSS WEIGHT (kg)	124,5	136
REFRIGERANT / CHARGE	R290 / 0,150 kg	R290 / 2 x 0,149 kg
GWP / Co2 EQUIVALENT	3 / 0,00045 t	3 / 0,000894 t
FULL FOOD LOAD CAPACITY FROM +60°C TO +8°C IN 4 HOURS	36 kg	50 kg
FULL FOOD LOAD CAPACITY FROM +65°C TO +10°C IN 3 HOURS	-	50 kg
FULL FOOD LOAD CAPACITY FROM +65°C TO +10°C IN 2,5 HOURS	36 kg	-
CONNECTION	230 V, 50 Hz / 5,66A	230 V, 50 Hz / 8,24A
CONNECTION LOAD (W)	1025	1523

SC 500



SC 710

