

# DR85K



**Mosaic**




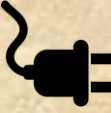

<b>Fuel Type</b>	<b>Wood</b>
------------------	-------------

<b>Oven Type</b>	<b>Rotary</b>
------------------	---------------



**Silicone Coating**

Cupola design wood oven with rotating base in a very compact size. Very attractive and elegant with double door – one for the main baking chamber and additional door for the wood burning chamber. A separate drawer for the wood burning ashes. In addition to all of this you have a fully adjustable rotating base. Modern wood oven with very high durability and efficiency – this is what this model offers. Produced in two designs – silicone coating and mosaic finish with various colour options.

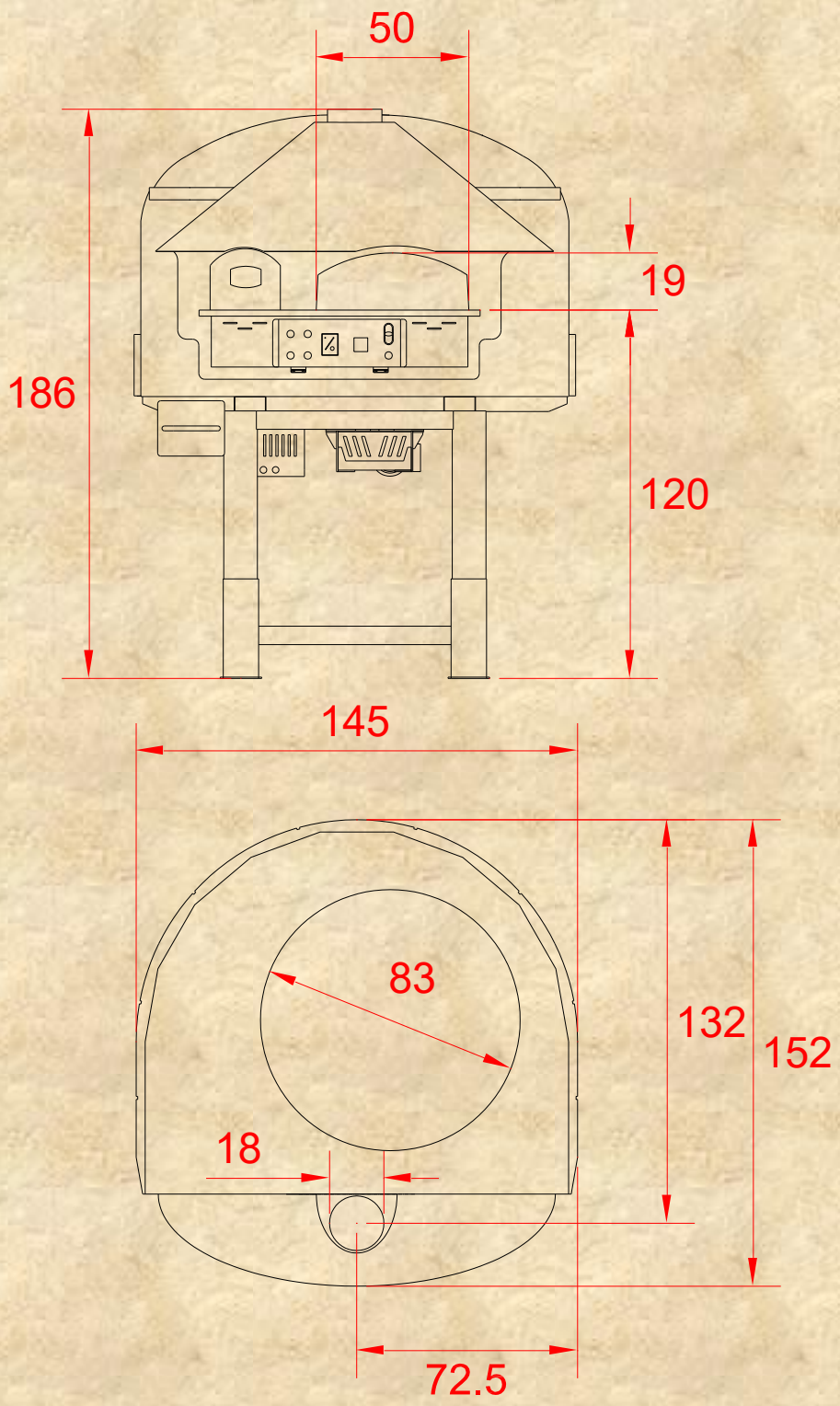
<b>Capacity</b>	4  30cm
<b>Productivity</b>	60  per hour
<b>Firewood Consumption</b> 	3 – 4 kg per hour
<b>Electrical Supply</b> 	230V / 50Hz
<b>Weight</b> 	950 kg



Supplied by Caterkwik

tel: 01229 480001

email: [info@caterkwik.co.uk](mailto:info@caterkwik.co.uk)



**\*Dimensions in cm**



Supplied by Caterkwik

tel: 01229 480001

email: [info@caterkwik.co.uk](mailto:info@caterkwik.co.uk)