





D120VK



Mosaic

Fuel Type	Wood
Oven Type	Static

Domical type ovens are with silicone coating or mosaic finish. Due to its multiple colour options, those ovens are very suitable for in-house restaurant use where customers enjoy both the pizza and the pizza oven. The wood combustion chamber is separated from the baking surface and it has drawer for collecting the ashes. Special finishes are available upon request as such ovens may be the pearl and flag mark of your pizza restaurant.

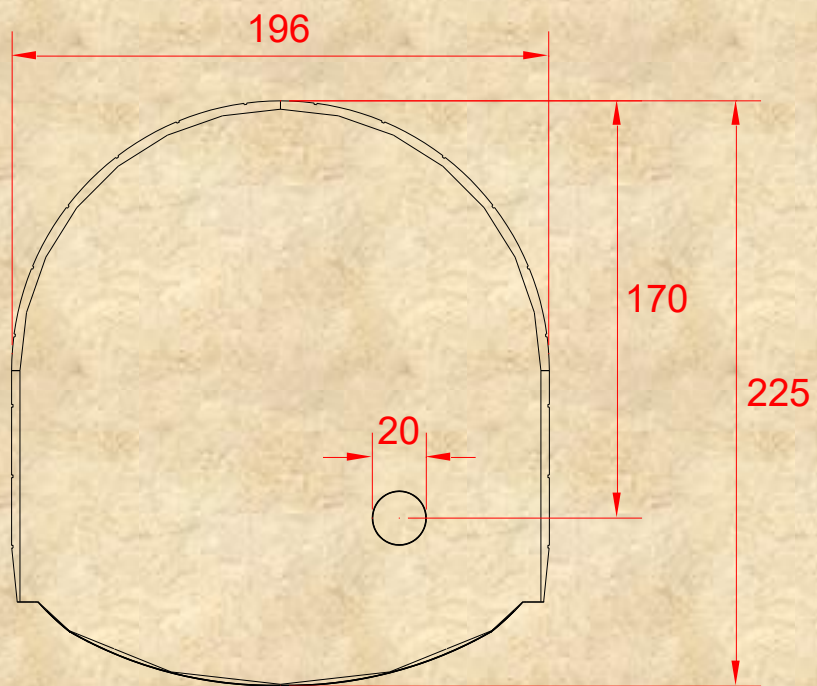
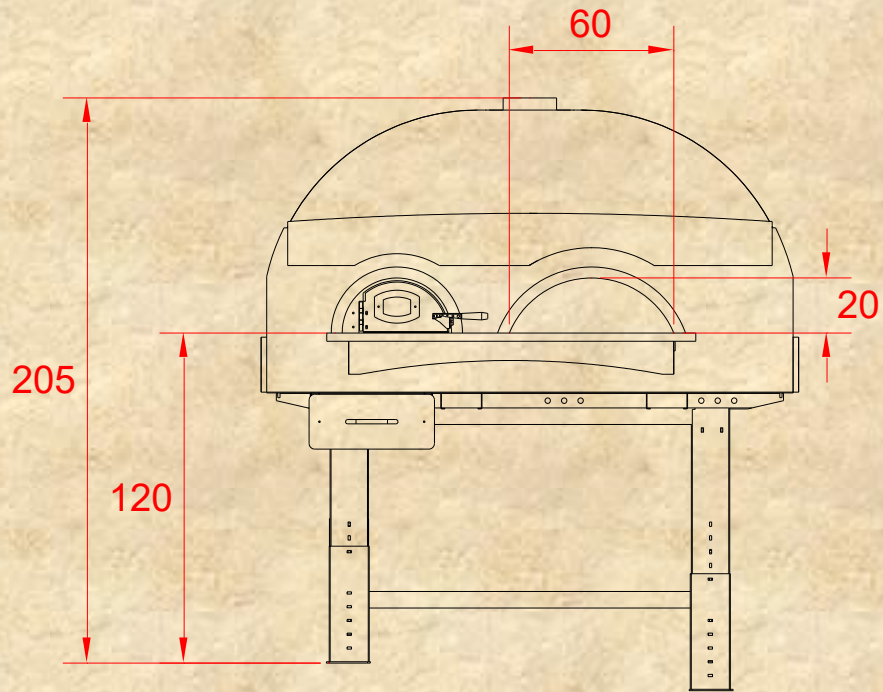
Capacity	9  30cm
Productivity	135  per hour
Firewood Consumption 	5 – 6 kg per hour
Weight 	2150 kg



Supplied by Caterkwik Ltd

Tel: 01229 480001

Email: info@caterkwik.co.uk



***Dimensions in cm**



Supplied by Caterkwik Ltd

Tel: 01229 480001

Email: info@caterkwik.co.uk