





# D100S

<b>Fuel Type</b>	<b>Wood</b>
<b>Oven Type</b>	<b>Static</b>

Wood ovens with Design S are basic one with metal cover and an arc facade finish – simple, elegant very durable where quality is viable. Those ovens are suitable both for inside kitchen use and building in option where only the oven face will be visible for customers. Currently no colour options are available.



**Design S**

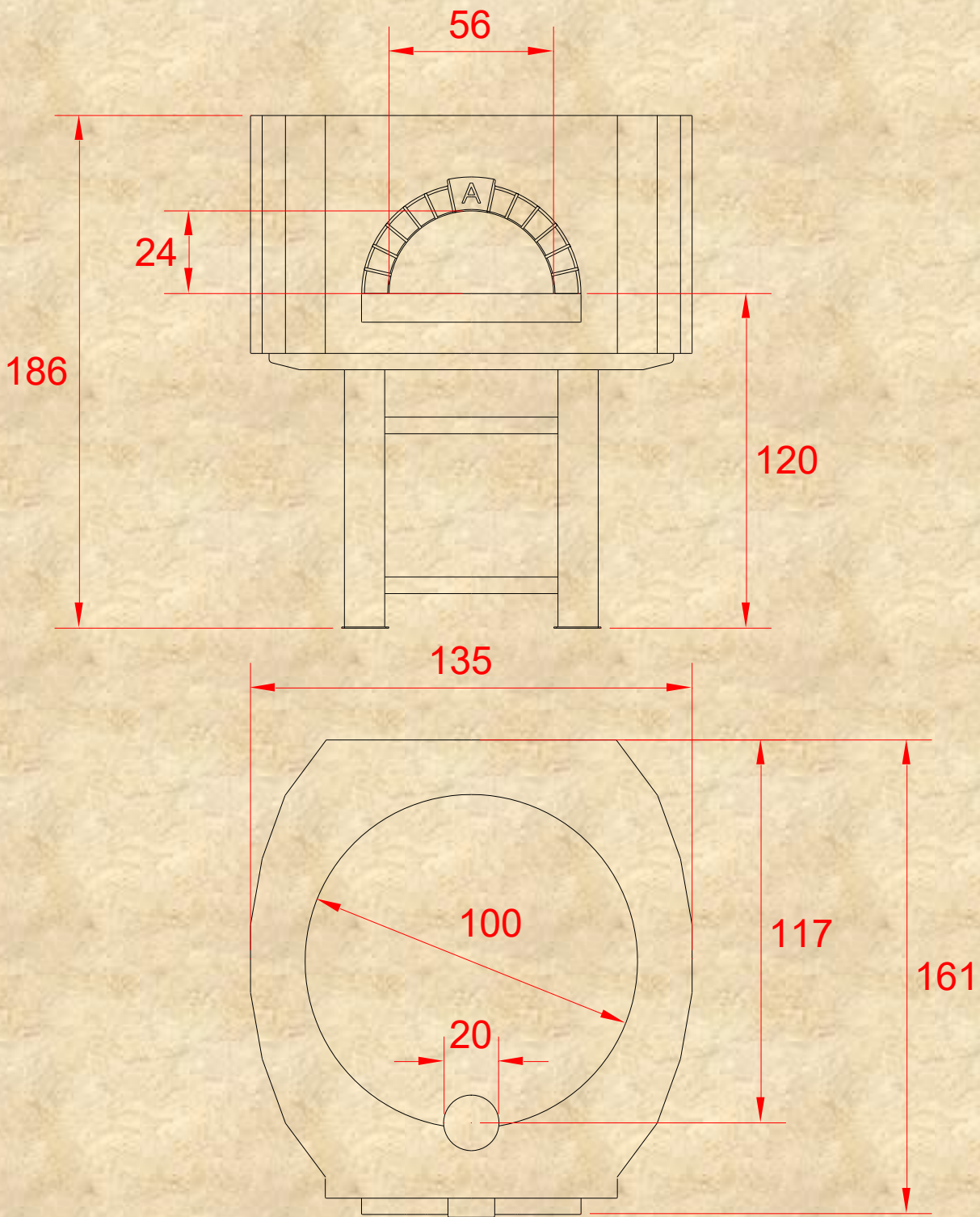
<b>Capacity</b>	4  30cm
<b>Productivity</b>	60  per hour
<b>Firewood Consumption</b> 	3 – 4 kg per hour
<b>Weight</b> 	1100 kg



Supplied by Caterkwik Ltd

Tel: 01229 480001

Email: [info@caterkwik.co.uk](mailto:info@caterkwik.co.uk)



**\*Dimensions in cm**



Supplied by Caterkwik Ltd

Tel: 01229 480001

Email: [info@caterkwik.co.uk](mailto:info@caterkwik.co.uk)