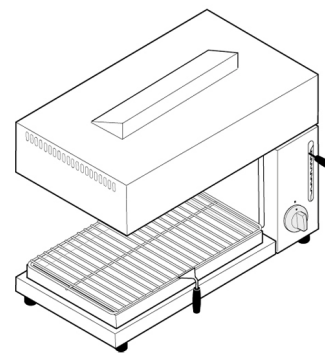


SALAMANDERS

213001

SG

PASS-THROUGH GAS SALAMANDER WITH MOVABLE COOKING PLATE



TECHNICAL SPECIFICATIONS

TECHNICAL SHEET

Power	kW	7,4
Natural Gas Consumption	m ³ /h	0,78
Cooking surface	cm	57,5x40
Heating Areas	n°	1
Width	cm	75
Depth	cm	40
Height	cm	46
Packaging Width	cm	80,0
Packaging Depth	cm	50,0
Packaging Height	cm	62,0
Net Weight	kg	41,0000
Gross Weight	kg	47
Volume	m ³	0,2500



Information shown is provided only as a guide. The company reserves the right to modify these data without notifying anytime. La validità dei dati riportati è indicativa. L'Azienda si riserva il diritto di apportare, in qualsiasi momento, variazioni anche senza preavviso.

TECNOINOX SRL | VIA TORRICELLI, 1 | 33080 PORCIA (PN) ITALY | T +39 0434 920110 | F +39 0434 920422 | TECNOINOX@TECNOINOX.IT | WWW.TECNOINOX.IT