

Silverlink 600 Ranges

Key Features

- Type: Gas
- Sealed hobtops
- Low level flue
- Oven with thermostatic temperature control 130 – 250 °C
- Piezo ignition to oven (millivolt system)
- Flame failure device on oven and hob burners
- Manual ignition to burners
- Supplied on height adjustable legs
- Side hinged doors (180° opening)
- Supplied with side racks and two shelves with safety stops



SLR9

Construction

- Body: stainless steel grade 430
- Pan supports: enamelled cast iron
- Oven liner: enamelled steel
- Shelves: chrome plated

Available Options

- Natural gas
- Propane gas
- Butane gas
- 4 and 6 burner models
- Models with rear castors

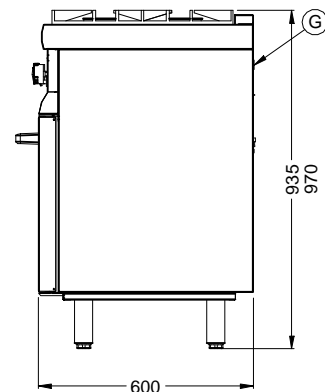
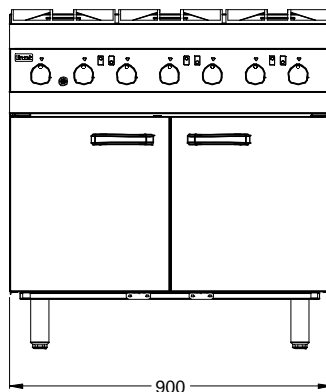
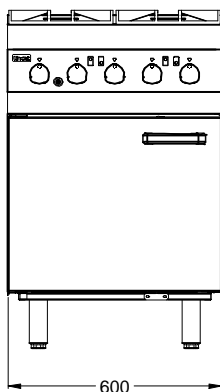
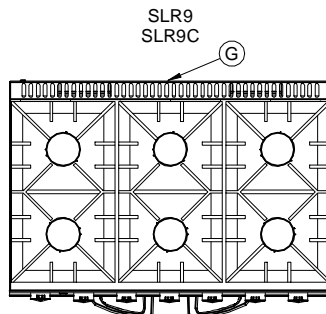
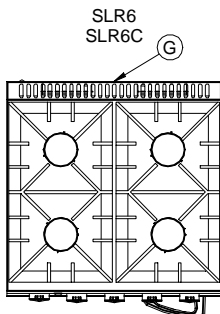
Available Accessories

- SLR6/SB - Splashback for SLR6
- SLR9/SB - Splashback for SLR9

NB. Splashbacks should not be used when ranges are fitted with castors

Specifications

Model	SLR6 & SLR6C	SLR9 & SLR9C
External height (mm) units with legs	935 - 970	935 - 970
External height (mm) units with castors	935	935
External width (mm)	600	900
External depth (mm)	600	600
Usable oven capacity h x w x d (mm)	360 x 480 x 390	360 X 720 X 390
Oven shelf size w x d (mm)	460 x 340	700 x 340
Net weight unpacked (kg)	69	85
Gross weight packed (kg)	85	125
Shipping volume (m ³)	0.698	1.171
Oven	1 gas burner	1 gas burner
Hob	4 gas open burners	6 gas open burners
Heat input oven Natural (kW)	5.8	8.5
Heat input oven Propane (kW)	5.8	8.5
Heat input oven Butane (kW)	5.8	8.5
Heat input per hob burner Natural (kW)	4.5	4.5
Heat input per hob burner Propane (kW)	4.5	4.5
Heat input per hob burner Butane (kW)	3.7	3.7
Total heat input Natural (kW)	23.8	35.5
Total heat input Propane (kW)	23.8	35.5
Total heat input Butane (kW)	20.6	30.7
Gas consumption at full rate Natural (m ³ h ⁻¹)	2.27	3.38
Gas consumption at full rate Propane (kg h ⁻¹)	1.70	2.54
Gas consumption at full rate Butane (kg h ⁻¹)	1.50	2.23
Gas inlet	R _p 1/2 (1/2" BSP)	
Btu/h conversion	kW x 3412	



NB: UNITS WITH CASTORS ARE NOT HEIGHT ADJUSTABLE



Lincat Limited, Whisby Road,
Lincoln LN6 3QZ,
United Kingdom

UK Sales Tel: 01522 875500 UK Spares Tel: 01522 875510 UK General Tel: 01522 875555
UK Fax: 01522 875530 International Sales Tel: +44 1522 503250 International Fax: +44 1522 875530
Website: www.lincat.co.uk UK Sales e-mail: sales@lincat.co.uk International Sales e-mail: export@lincat.co.uk



Document ref:
S-LINKGASRANGE
Issue date: Aug-13