

## ST40, ST60, ST80, ST90, ST120 Stands



ST90

### Key Features

- Supplied upon adjustable stainless steel feet or castors
- Stainless steel external panels with Scotch Brite finish

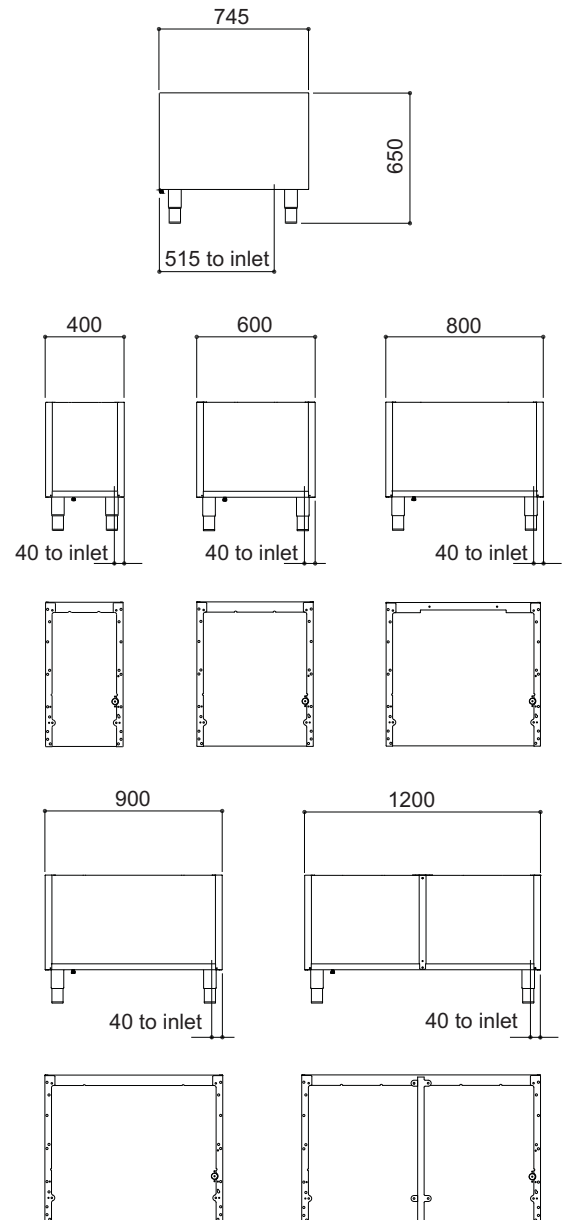
### Weights

<b>ST40</b>	
Weight / Packed weight (kg)	13 / 20
Packed dimensions (mm)	450 x 970 x 820
<b>ST60</b>	
Weight / Packed weight (kg)	19 / 31.6
Packed dimensions (mm)	650 x 970 x 820
<b>ST80</b>	
Weight / Packed weight (kg)	22 / 37
Packed dimensions (mm)	850 x 970 x 820
<b>ST90</b>	
Weight / Packed weight (kg)	24 / 41
Packed dimensions (mm)	950 x 970 x 820
<b>ST120</b>	
Weight / Packed weight (kg)	33 / 53.5
Packed dimensions (mm)	1250 x 970 x 820

### Short Form Specification

Open base unit supplied upon adjustable feet or castors for mounting of counter top units. Exterior panels are Scotch Brite finish stainless steel.

### Model Dimensions (mm)



### Optional Accessories

- Castors
- Kick plate