



# DISHWASHER UX-120SBC 230/50/1

Rack size 500x500mm and door clearance 440 mm. Double-skinned hood.

P/N 1303402



WARE WASHING  
PASS-THROUGH DISHWASHERS

## SALES DESCRIPTION

Sani-Control: guaranteed disinfection.  
Double-walled hood: insulation and energy efficiency.  
Exclusive Hydroblade™ washing arms: maximum effectiveness.  
3-stage filtering system.

### Sani-Control guarantee

- ✓ GUARANTEED DISINFECTION in compliance with standard DIN 10534.
- ✓ THERMAL LOCK function: Ensures that rinsing will be carried out at the ideal temperature to disinfect the dishes.
- ✓ CONSTANT HIGH TEMPERATURE RINSE system for optimal disinfection.
- ✓ The PRESSURE PUMP guarantees effective high-pressure rinsing
- ✓ WRAS certified.

### New recessed bodywork

- ✓ Ergonomic design with rounded corners to prevent the accumulation of dirt and facilitate cleaning.
- ✓ Compact tank volume (50% water saving compared to the previous range).

### Double-Walled (Ultra ISO)

- ✓ Double-Walled Structure: thermo-acoustic insulation to attenuate the sound level and improve energy efficiency

### Hydroblade™ washing arms

- ✓ Redesigned nozzles for greater washing performance.
- ✓ The “monoblock” design delivers durability and resistance to impacts.
- ✓ 30% savings in water consumption during rinsing compared to the previous range.

### 3-stage filter system: surface, tank and extraction

- ✓ Keeps the washing water in optimal conditions to maintain constant washing performance.

### Designed to last

- ✓ “Flow” opening mechanism: allows the hood to be raised with less effort
- ✓ High load capacity 44 cm: suitable for GN 1/1 and Euronorm
- ✓ Stainless steel surface filters for greater stability and resistance during intensive use

### Premium warewashing

- ✓ Soft start: progressive start-up of the washing pump to protect fragile items.
- ✓ Colour LCD Display: intuitive communication of the machine status by means of messages, colour codes and icons.
- ✓ Dedicated cycles: selection of the ideal washing programme using icons.
- ✓ Adaptable: allows the main parameters of the machine to be adjusted to the needs of each user.
- ✓ TEMPERATURE DISPLAY
- ✓ Wash Plus+ function: increases the intensity of the wash cycle for greater cleaning performance
- ✓ Control panel with IP65 humidity protection.

### You will never WASH ALONE

- ✓ Tech-Services: our team of technicians will help you so that your machine is always ready for use.
- ✓ Design Services: tell us what your needs are and we will advise you.
- ✓ 60 years of experience and know-how at your disposal.

## INCLUDES

- ✓ Rinse aid pump.
- ✓ Detergent Dispenser
- ✓ 1 glasses basket.
- ✓ 1 mixed basket (plates).
- ✓ 1 cutlery basket.
- ✓ Drainage pump with level sensor. Proactive tank water renewal.

## OPTIONAL

- .

## ACCESSORIES

- Tables for dishwashers P/X/S (pass-through model)
- Manual water softeners
- Automatic water softeners
- 500 x 500 mm. baskets
- Inserts & supplements
- Central sorting tables
- Double connection central
- sorting table
- Prewashing tables for pass-through and rack conveyor dishwashers
- Connecting tables for Pass-Through dishwashers and rack conveyors
- Reverse Osmosis device OS-140P

## SPECIFICATIONS

Basket dimensions: 500 mm x 500 mm

Maximum glass height: 430 mm

Cycles: 6

Cycle duration: 60/90/100/150/210 “

Production baskets/hour: 60/40/36/24/17

Boiler capacity: 12 l

Wash tank capacity: 25 l

### Consumption and savings

- ✓ Water consumption/cycle: 2.8 l
- ✓ Automatic saving mode in: 25 ‘
- ✓ Automatic switch-off: 120 ‘

### Loading





# DISHWASHER UX-120SBC 230/50/1

Rack size 500x500mm and door clearance 440 mm. Double-skinned hood.



P/N 1303402

Pump: 1000 W / 1.3 Hp  
 Tank: 7500 W  
 Boiler: 2500 W  
 Total loading: 8500 W  
 Electrical supply: 230 V / 50 Hz / 1 ~ (38.6 A)

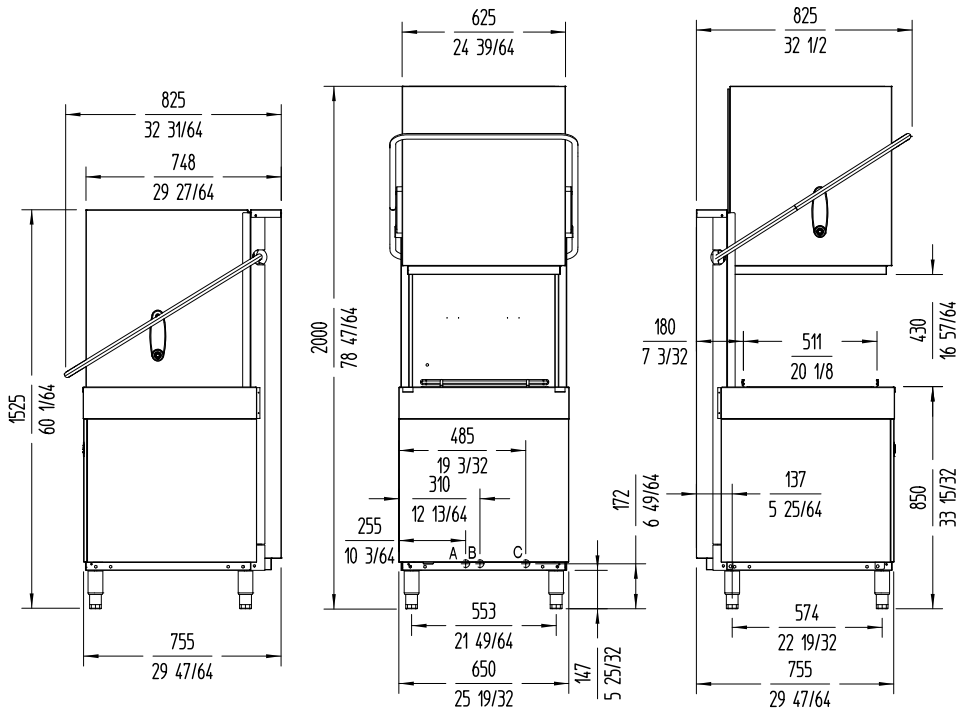
Net weight: 135 Kg  
 Wash temperature: -- °C  
 Rinse temperature: 87 °C  
 Net weight: 135 Kg  
 Noise level (1m.): <70 dB(A)

### Crated dimensions

760 x 860 x 1960 mm  
 Gross weight: 146 Kg

### External dimensions (WxDxH)

- ✓ Width: 650 mm (: -- mm)
- ✓ Depth: 755 mm (: -- mm)
- ✓ Height: 2000 mm / 1520 mm



A: Entrada de agua 3/4" GAS.  
 B: Tubo de desagüe ø30 mm.  
 C: Cable conexión.

WARE WASHING  
 PASS-THROUGH DISHWASHERS



[www.sammic.co.uk](http://www.sammic.co.uk)

Food Service Equipment Manufacturer

Unit 2, Trevanah Road  
 Troon Industrial Park  
 LE4 9LS - Leicester

[uksales@sammic.com](mailto:uksales@sammic.com)  
 Tel.: +44 0116 246 1900



Project	Date
Item	Qty
Approved	

product sheet  
 updated 22/02/2022