

TM COP. ALLUMINIO

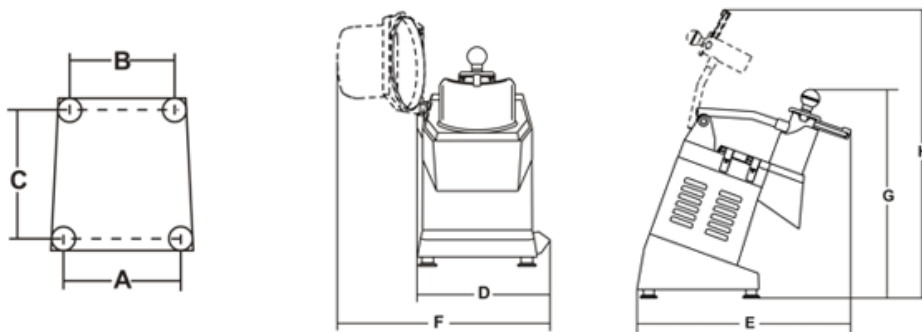


- Aluminium alloy and S/S construction.
- Ventilated motor for continuous operation.
- Thanks to its compact design the machine is easy to install inside every kitchen.
- The exclusive feeding system makes easy to process also soft products like moz-zarella cheese.
- Safe operation is ensured by interlock switches on product pusher, lid and collect-ing tray.
- Version with dishwashing safe S/S lid available.
- Large number of discs available for every purpose.

DETAILS



TECHNICAL DATA



Model	TM ALL.
Power	Watt 515 - Hp 2/3
Power source	230-400V/50Hz
Disc revolutions	r.p.m. 300
A	mm 225
B	mm 195
C	mm 255
D	mm 280
E	mm 510
F	mm 400
G	mm 510
H	mm 770
Net weight	Kg 18,5
Shipping	mm 720x350x500
Gross weight	Kg 22