



**Model**

TMC

**Product Description**

TMC – Mozzarella Cheese Grater

**Product Code**

5TMC102



**Standard Features**

- Professional mozzarella cheese grater ideally suited for pizzerias and restaurants
- Output of up to 50kg per hour
- 4 cutting cones available:
  - No. 1) 2mm for slicing
  - No. 2) 2.5mm for shredding or grating
  - No. 3) 4mm for vegetables
  - No. 4) 7mm for mozzarella cheese
- Stainless steel construction
- Heavy duty motor
- Thermal overload protection included
- ABS discharge chute equipped with safety micro switch
- ABS pestle
- Stainless steel cones, hopper and tray
- 24volt control panel ensures safety during operation
- Available in single or three phase
- Unit supplied with a 7mm cone
- CE Approved

**Included as Standard**

- 1 x TMC – Mozzarella Cheese Grater
- 1 x No.4 Cone: 7mm for shredding or grating

**Warranty**

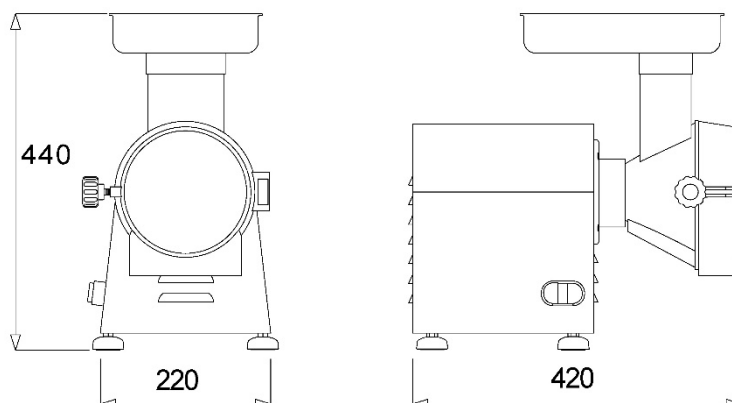
Covered by Metcalfe 1-year warranty and full after sales service

**Optional Accessories**

Part No.	Item
FM2282	No.1 Cone – 2mm (Slicing)
FM2280	No.2 Cone – 2.5mm (Shredding or Grating)

Part No.	Item
FM2281	No.3 Cone – 4mm (Vegetables)
FM2182	No.4 Cone – 7mm (Mozzarella Cheese)

**Dimensions**



**Specifications**

Model	Product Code	Cutting Size (mm)	Output (kgs) per hour	Phase (Ø)	Motor (Volt)	Frequency (Hz)	AMP (A)	Power (kW) / (hp)
TMC	5TMC102	2.5	50	1	230	50	4.8	0.75 / 1

**Dimensions | Shipping Information**

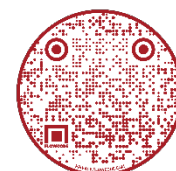
Model	Overall Dimensions D x W x H (mm)	Net Weight (kg)	Packed Dimensions D x W x H (mm)	Packed Weight (kg)	Volume (m3)
TMC	420 x 220 x 440	18,0	480 x 300 x 520	20,0	0.075

We reserve the right to alter the specification and technical details for this item at any time without prior notice.

09/2020

**Metcalfe Catering Equipment Ltd**

Haygarth Park  
 Blaenau Ffestiniog  
 Gwynedd, North Wales  
 LL41 3PF



**t** 01766 830 456

**e** sales@metcalfecatering.com

**w** www.metcalfecatering.com