



WATER



GAS



ENVIRONMENT



PEST CONTROL

PRE-RINSE SPRAYS

AQUATECHNIX

The next generation of pre-rinse sprays with matching taps and faucets designed and manufactured by Mechline

FOR PROFESSIONAL FOODSERVICE

From extensive experience in Foodservice Operations, Engineering and Service, Mechline has invested extensively in the all new AquaTechnix range, specifically designed for the professional Hospitality and Foodservice environment and manufactured to the highest quality.



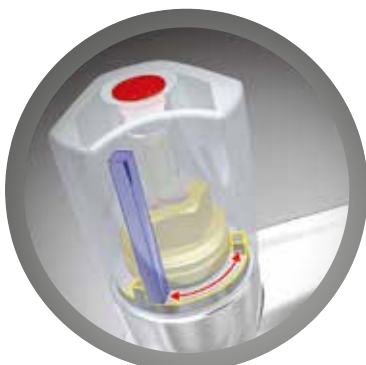
- across the whole range.

Modern practical design - Robust, 'water efficient' and fit for purpose.



Built with reliability in mind

- Unique PosiStop™ feature provides built-in reliability and performance
- A restraining wire is supplied with every pre-rinse spray to prevent the spray arm from being overstretched



Complete product range

- Pre-rinse sprays
- Faucets and mixers with a vast range of spouts available
- Basin and sink taps



The choice is yours

- Build your perfect pre-rinse from the choices of bases, heights and bowl fillers
- The complete product range means that the whole kitchen can be fitted with a suite of matching products





WATER



GAS



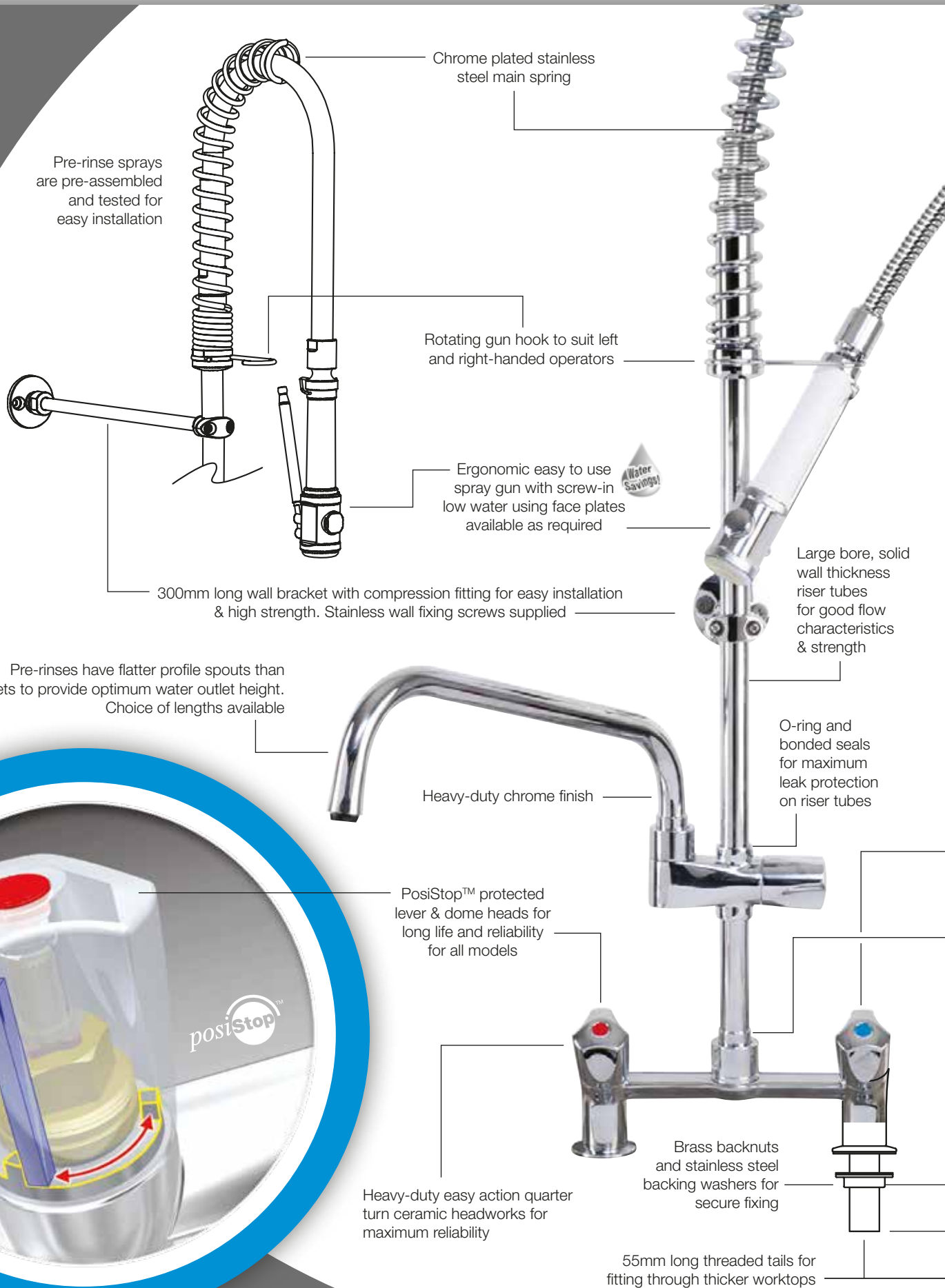
ENVIRONMENT



PEST CONTROL

FEATURES & BENEFITS

AQUATECHNIX





WATER



GAS



ENVIRONMENT



PEST CONTROL

FEATURES & BENEFITS

AQUATECHNIX

Food grade, high-flow water hose armoured with a super strong stainless steel outer

Heads angled forward for maximum ease of use



Screw-in diffusers allow water-saving diffusers to be fitted as required



55mm long threaded tails for fitting through thicker worktops

Whole range is fitted with brass backnuts and stainless steel backing washers for secure fixing

High reach professional faucet spouts. Choice of lengths available

Ergonomic dome and lever design for easy grip and operation with wet hands

Positive location base cover on TX-10 and TX-20 models for easy installation

Combination of low friction anti-rotation washers and double o-ring seal provide solid, smooth spout action. Brazed-on o-ring block provides maximum spout and riser tube strength

Malleable copper tails on TX-20 models for easy installation and good flow characteristics

High flow non-return valves built-in to all mixer models for easy installation

30mm maximum panel thickness

- **WRAS APPROVED PRODUCT** - across the whole range
- **Complete product range** means that the whole kitchen can be fitted with a suite of matching products
- **Ergonomic** in design and functionality
- **posiStop™** - patented built-in stopping device which prevents the lever or handle from being turned or knocked too far and transferring stress to the tap valve
- **Restraining wire supplied** with every pre-rinse spray to prevent the spray arm from being overstretched or pulled into the sink
- **Modern, hygienic and practical** design comes pre-assembled, ready to install
- All assembled models are factory tested up to 6 bar for **quality assurance**
- **Wide range of spouts** – to suit every application
- **Interchangeability** between bases, spouts and pre-rinse means that product use can easily be changed on site at a later date if required
- **Heavy-duty** construction incorporating high quality tested and proven components for commercial use

Turn to the 'Kitchen Faucets/ Taps & Spouts' section for matching Faucets & Taps





WATER



GAS



ENVIRONMENT



PEST CONTROL

BUILD YOUR PERFECT PRE-RINSE IN 3 EASY STEPS

1 CHOOSE THE BASE



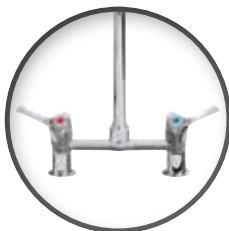
Single Pedestal / Single Feed – Deck Mounted / LEVER head control

TX-PR-10L



Single Pedestal / Twin Feed – Deck Mounted / LEVER head controls

TX-PR-20L



Twin Pedestal / Twin Feed – Deck Mounted / LEVER head controls

TX-PR-30L

**Please see advisory on p.20*



Single Pedestal / Single Feed – Panel Mounted / LEVER head control

TX-PR-15L



Twin Pedestal / Twin Feed – Panel Mounted / LEVER head controls

TX-PR-40L



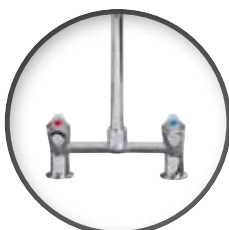
Single Pedestal / Single Feed – Deck Mounted / DOME head control

TX-PR-10D



Single Pedestal / Twin Feed – Deck Mounted / DOME head controls

TX-PR-20D



Twin Pedestal / Twin Feed – Deck Mounted / DOME head controls

TX-PR-30D



Single Pedestal / Single Feed – Panel Mounted / DOME head control

TX-PR-15D



Twin Pedestal / Twin Feed – Panel Mounted / DOME head controls

TX-PR-40D

2 CHOOSE THE HEIGHT



Standard

ST



Short

SH



Super Short

SS



WATER



GAS



ENVIRONMENT



PEST CONTROL

PRE-RINSE SPRAYS

AQUATECHNIX

3 DO YOU REQUIRE A BOWL FILLER?



150mm BOWL FILLING FAUCET - supplied with handles to complement your chosen base

BF1



300mm BOWL FILLING FAUCET - supplied with handles to complement your chosen base

BF2



NO BOWL FILLING FAUCET

BFO

Add 'BFO' to your order code IF A BOWL FILLER IS NOT REQUIRED

EXAMPLES

Base	Style	Bowl Filler
TX-PR-20L	ST	BF2
TX-PR-30D	SH	BFO

=

=

Codes would be written as:

TX-PR-20L-ST-BF2

TX-PR-30D-SH-BFO



TX-PR-10L-ST-BF1



TX-PR-15D-SH-BF2



TX-PR-40L-SS-BFO



WATER



GAS



ENVIRONMENT



PEST CONTROL

PRE-RINSE SPRAYS

AQUATECHNIX

DECK MOUNTED - TX-10 Range

STANDARD

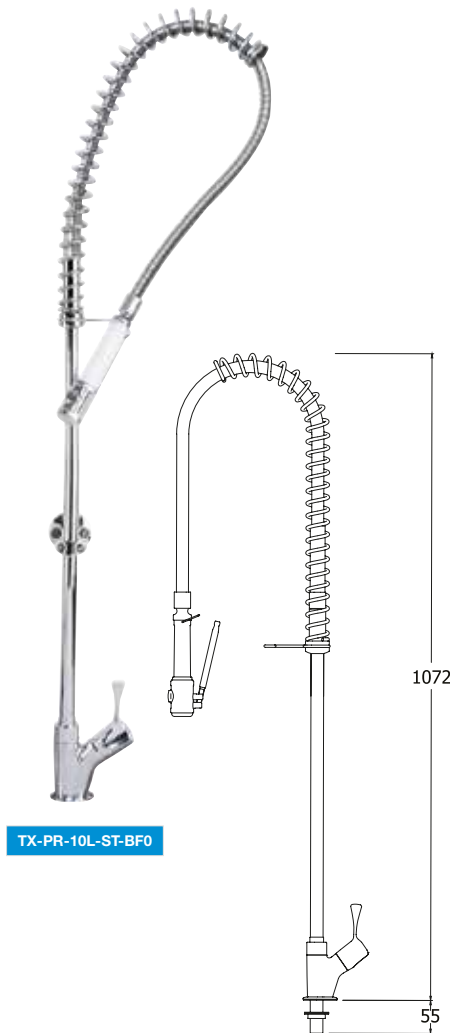
SHORT

SUPER SHORT

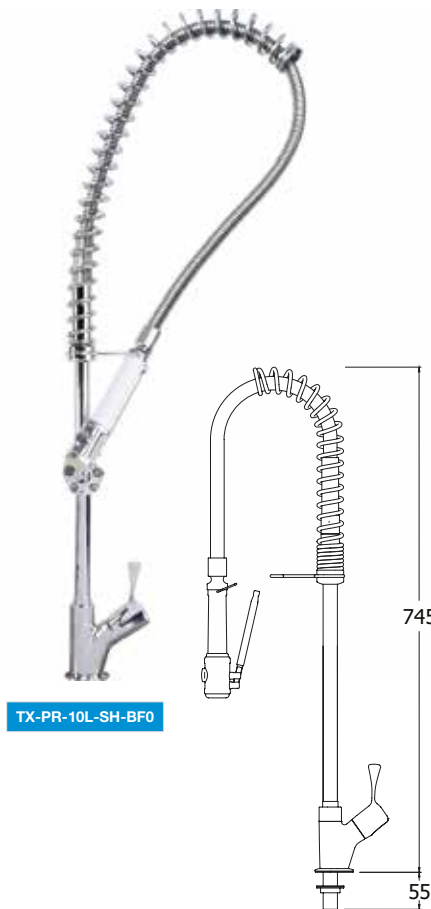


SINGLE PEDESTAL SINGLE WATER FEED MONOBLOC

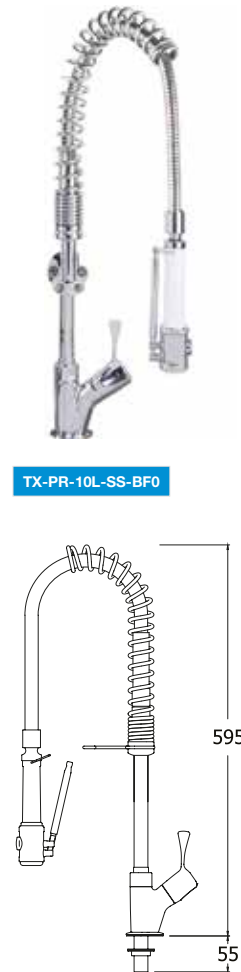
1/2" connection. Tap hole Ø 25mm.
Restraining wire supplied as standard.



TX-PR-10L-ST-BF0



TX-PR-10L-SH-BF0



TX-PR-10L-SS-BF0

LEVER CONTROLS		WITH 150mm (BF1) BOWL FILLING FAUCET	WITH 300mm (BF2) BOWL FILLING FAUCET
Models	STANDARD TX-PR-10L-ST-BF0	TX-PR-10L-ST-BF1	TX-PR-10L-ST-BF2
Description	LEVER operated TX-PR-10L base / STANDARD height / No bowl filler H : 1072mm	LEVER operated TX-PR-10L base / STANDARD height / BF1 bowl filler H : 1204mm	LEVER operated TX-PR-10L base / STANDARD height / BF2 bowl filler H : 1204mm
Models	SHORT TX-PR-10L-SH-BF0	TX-PR-10L-SH-BF1	TX-PR-10L-SH-BF2
Description	LEVER operated TX-PR-10L base / SHORT height / No bowl filler H : 745mm	LEVER operated TX-PR-10L base / SHORT height / BF1 bowl filler H : 877mm	LEVER operated TX-PR-10L base / SHORT height / BF2 bowl filler H : 877mm
Models	SUPER SHORT TX-PR-10L-SS-BF0	TX-PR-10L-SS-BF1	TX-PR-10L-SS-BF2
Description	LEVER operated TX-PR-10L base / SUPER SHORT height / No bowl filler H : 595mm	LEVER operated TX-PR-10L base / SUPER SHORT height / BF1 bowl filler H : 675mm	LEVER operated TX-PR-10L base / SUPER SHORT height / BF2 bowl filler H : 675mm

Recommended static water pressure range: 1.5 - 5 bar.

Maximum water temperature: 149°F (65°C).

NOTE: Heights for all models will vary depending on spring tension.

For line drawings or CAD drawings visit www.mechline.com.

Flow rates for all TX-PR-10 models - tested at 3 bar pressure

SPRAY GUN	WATER-SAVING face plate: 4.11 l/m	STANDARD face plate: 10.33 l/m
BOWL FILLER	WATER-SAVING diffuser: 3.82 l/m	STANDARD diffuser: 10.33 l/m



WATER



GAS



ENVIRONMENT



PEST CONTROL

PRE-RINSE SPRAYS

AQUATECHNIX

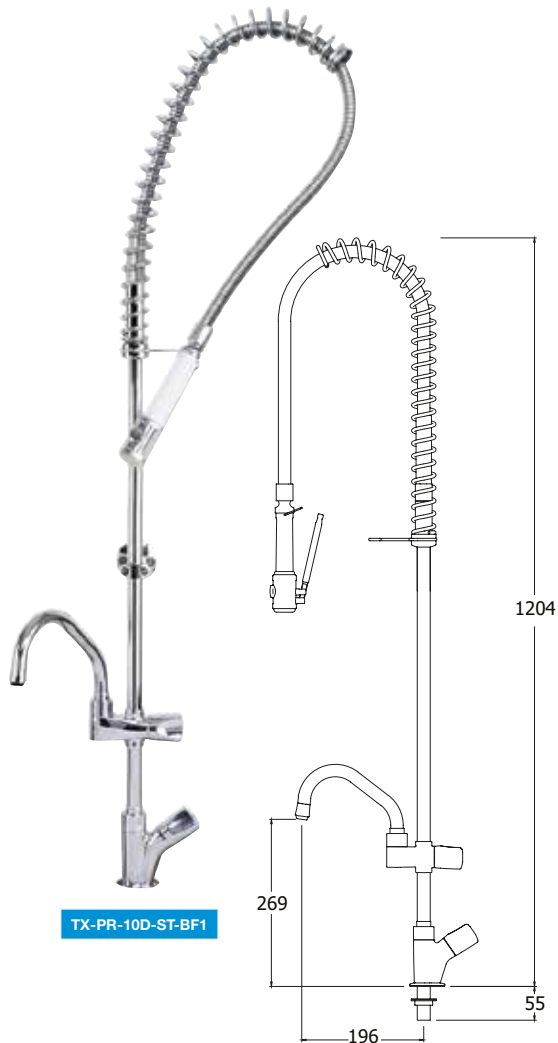
DECK MOUNTED - TX-10 Range

STANDARD SHORT SUPER SHORT

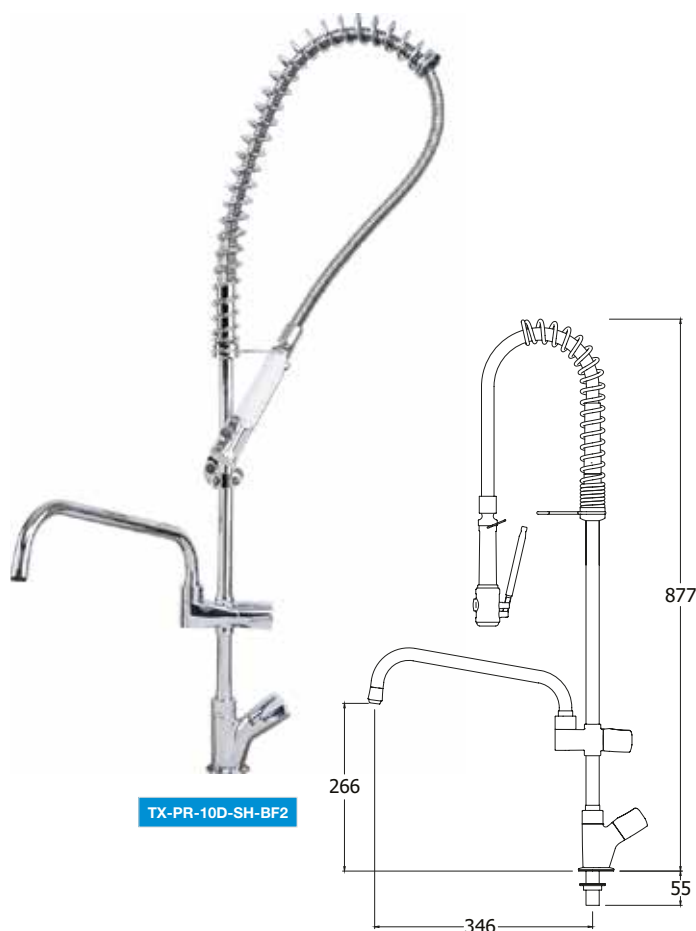


SINGLE PEDESTAL SINGLE WATER FEED MONOBLOC

1/2" connection. Tap hole Ø 25mm.
Restraining wire supplied as standard.



TX-PR-10D-ST-BF1



TX-PR-10D-SH-BF2

	DOMES HEAD CONTROLS		WITH 150mm (BF1) BOWL FILLING FAUCET	WITH 300mm (BF2) BOWL FILLING FAUCET
Models	STANDARD	TX-PR-10D-ST-BF0	TX-PR-10D-ST-BF1	TX-PR-10D-ST-BF2
Description	DOME head operated TX-PR-10D base / STANDARD height / No bowl filler H : 1072mm		DOME head operated TX-PR-10D base / STANDARD height / BF1 bowl filler H : 1204mm	DOME head operated TX-PR-10D base / STANDARD height / BF2 bowl filler H : 1204mm
Models	SHORT	TX-PR-10D-SH-BF0	TX-PR-10D-SH-BF1	TX-PR-10D-SH-BF2
Description	DOME head operated TX-PR-10D base / SHORT height / No bowl filler H : 745mm		DOME head operated TX-PR-10D base / SHORT height / BF1 bowl filler H : 877mm	DOME head operated TX-PR-10D base / SHORT height / BF2 bowl filler H : 877mm
Models	SUPER SHORT	TX-PR-10D-SS-BF0	TX-PR-10D-SS-BF1	TX-PR-10D-SS-BF2
Description	DOME head operated TX-PR-10D base / SUPER SHORT height / No bowl filler H : 595mm		DOME head operated TX-PR-10D base / SUPER SHORT height / BF1 bowl filler H : 675mm	DOME head operated TX-PR-10D base / SUPER SHORT height / BF2 bowl filler H : 675mm

Recommended static water pressure range: 1.5 - 5 bar.
Maximum water temperature: 149°F (65°C).
NOTE: Heights for all models will vary depending on spring tension.
For line drawings or CAD drawings visit www.mechline.com.

Flow rates for all TX-PR-10 models - tested at 3 bar pressure

SPRAY GUN	WATER-SAVING face plate: 4.11 l/m	STANDARD face plate: 10.33 l/m
BOWL FILLER	WATER-SAVING diffuser: 3.82 l/m	STANDARD diffuser: 10.33 l/m



WATER



GAS



ENVIRONMENT



PEST CONTROL

PRE-RINSE SPRAYS

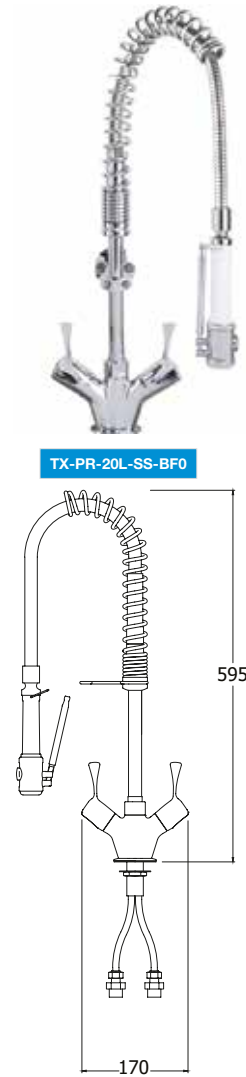
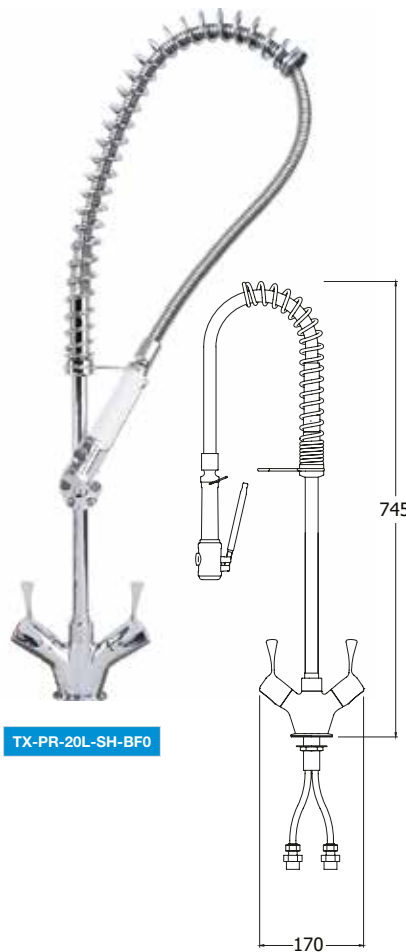
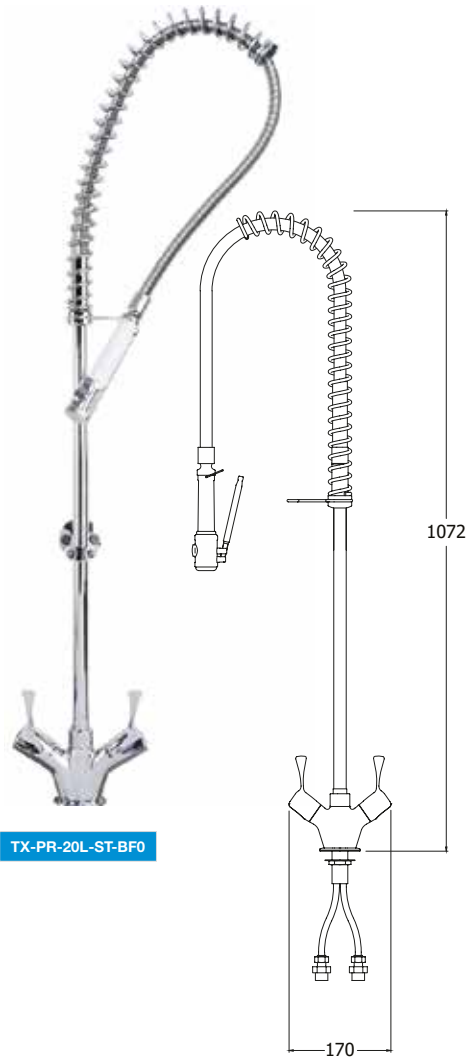
AQUATECHNIX

DECK MOUNTED - TX-20 Range

STANDARD SHORT SUPER SHORT

SINGLE PEDESTAL TWIN WATER FEED MONOBLOC

1/2" copper tail connections. Tap hole Ø 32mm.
Restraining wire supplied as standard.



LEVER CONTROLS

	WITH 150mm (BF1) BOWL FILLING FAUCET		WITH 300mm (BF2) BOWL FILLING FAUCET	
Models	STANDARD	TX-PR-20L-ST-BF0	TX-PR-20L-ST-BF1	TX-PR-20L-ST-BF2
Description	LEVER operated TX-PR-20L base / STANDARD height / No bowl filler H : 1072mm		LEVER operated TX-PR-20L base / STANDARD height / BF1 bowl filler H : 1204mm	
Models	SHORT	TX-PR-20L-SH-BF0	TX-PR-20L-SH-BF1	TX-PR-20L-SH-BF2
Description	LEVER operated TX-PR-20L base / SHORT height / No bowl filler H : 745mm		LEVER operated TX-PR-20L base / SHORT height / BF1 bowl filler H : 877mm	
Models	SUPER SHORT	TX-PR-20L-SS-BF0	TX-PR-20L-SS-BF1	TX-PR-20L-SS-BF2
Description	LEVER operated TX-PR-20L base / SUPER SHORT height / No bowl filler H : 595mm		LEVER operated TX-PR-20L base / SUPER SHORT height / BF1 bowl filler H : 675mm	

Recommended static water pressure range: 1.5 - 5 bar.
Maximum water temperature: 149°F (65°C).

NOTE: Heights for all models will vary depending on spring tension.
For line drawings or CAD drawings visit www.mechline.com.

Flow rates for all TX-PR-20 models - tested at 3 bar pressure

SPRAY GUN	WATER-SAVING face plate: 4.65 l/m	STANDARD face plate: 7.75 l/m
BOWL FILLER	WATER-SAVING diffuser: 3.56 l/m	STANDARD diffuser: 10.33 l/m



WATER



GAS



ENVIRONMENT



PEST CONTROL

PRE-RINSE SPRAYS

AQUATECHNIX

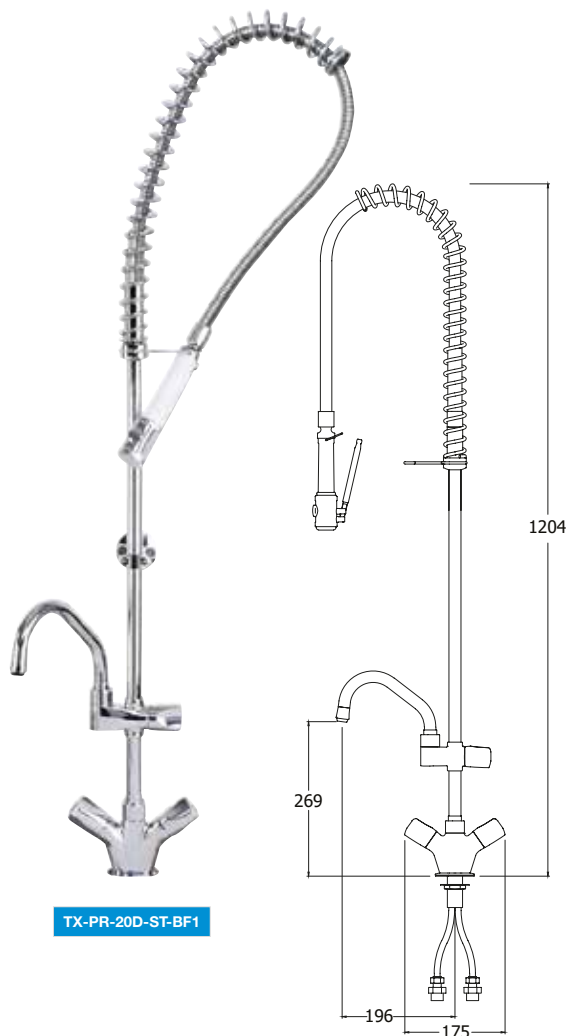
DECK MOUNTED - TX-20 Range

STANDARD SHORT SUPER SHORT

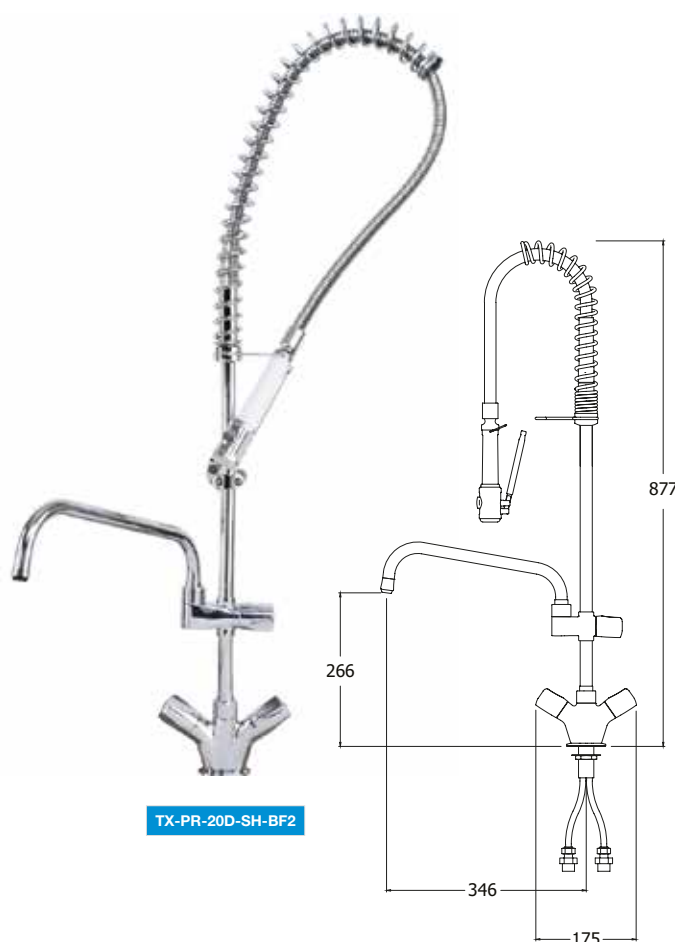


SINGLE PEDESTAL TWIN WATER FEED MONOBLOC

1/2" copper tail connections. Tap hole Ø 32mm.
Restraining wire supplied as standard.



TX-PR-20D-ST-BF1



TX-PR-20D-SH-BF2

DOME HEAD CONTROLS		WITH 150mm (BF1) BOWL FILLING FAUCET	WITH 300mm (BF2) BOWL FILLING FAUCET
Models	STANDARD TX-PR-20D-ST-BF0	TX-PR-20D-ST-BF1	TX-PR-20D-ST-BF2
Description	DOME head operated TX-PR-20D base / STANDARD height / No bowl filler H : 1072mm	DOME head operated TX-PR-20D base / STANDARD height / BF1 bowl filler H : 1204mm	DOME head operated TX-PR-20D base / STANDARD height / BF2 bowl filler H : 1204mm
Models	SHORT TX-PR-20D-SH-BF0	TX-PR-20D-SH-BF1	TX-PR-20D-SH-BF2
Description	DOME head operated TX-PR-20D base / SHORT height / No bowl filler H : 745mm	DOME head operated TX-PR-20D base / SHORT height / BF1 bowl filler H : 877mm	DOME head operated TX-PR-20D base / SHORT height / BF2 bowl filler H : 877mm
Models	SUPER SHORT TX-PR-20D-SS-BF0	TX-PR-20D-SS-BF1	TX-PR-20D-SS-BF2
Description	DOME head operated TX-PR-20D base / SUPER SHORT height / No bowl filler H : 595mm	DOME head operated TX-PR-20D base / SUPER SHORT height / BF1 bowl filler H : 675mm	DOME head operated TX-PR-20D base / SUPER SHORT height / BF2 bowl filler H : 675mm

Recommended static water pressure range: 1.5 - 5 bar.
Maximum water temperature: 149°F (65°C).
NOTE: Heights for all models will vary depending on spring tension.
For line drawings or CAD drawings visit www.mechline.com.

Flow rates for all TX-PR-20 models - tested at 3 bar pressure

SPRAY GUN	WATER-SAVING face plate: 4.65 l/m	STANDARD face plate: 7.75 l/m
BOWL FILLER	WATER-SAVING diffuser: 3.56 l/m	STANDARD diffuser: 10.33 l/m



WATER



GAS



ENVIRONMENT



PEST CONTROL

PRE-RINSE SPRAYS

AQUATECHNIX

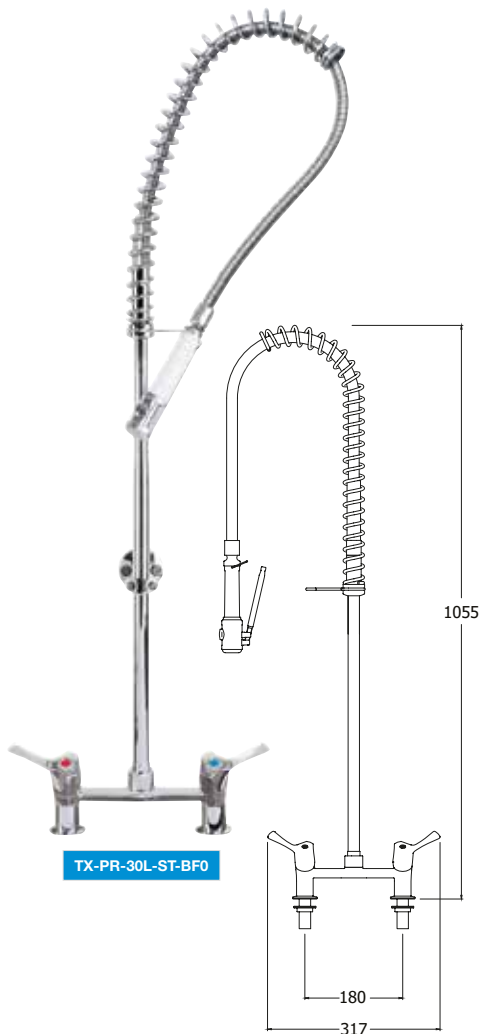
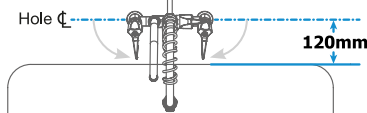
DECK MOUNTED - TX-30 Range

STANDARD SHORT SUPER SHORT

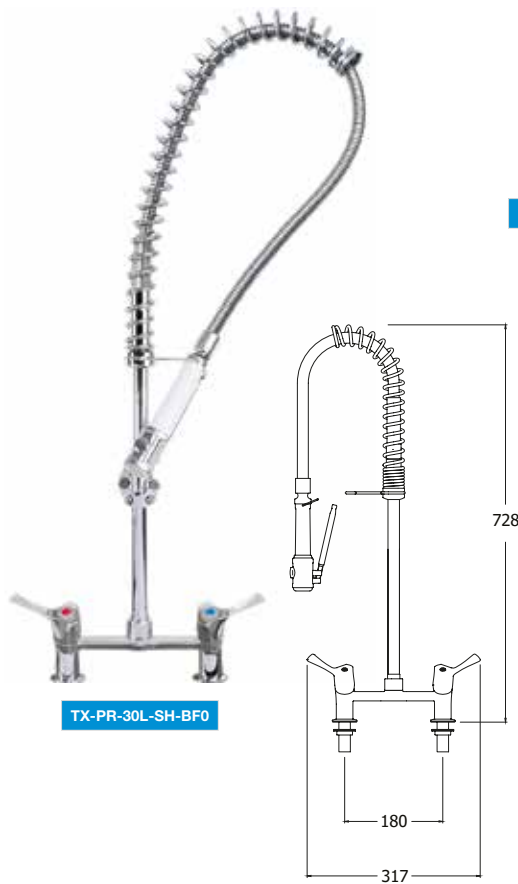
TWIN PEDESTAL TWIN WATER FEED

1/2" connections. Tap hole Ø 25mm, 180mm centres (150mm centres available on request).
Restraining wire supplied as standard.

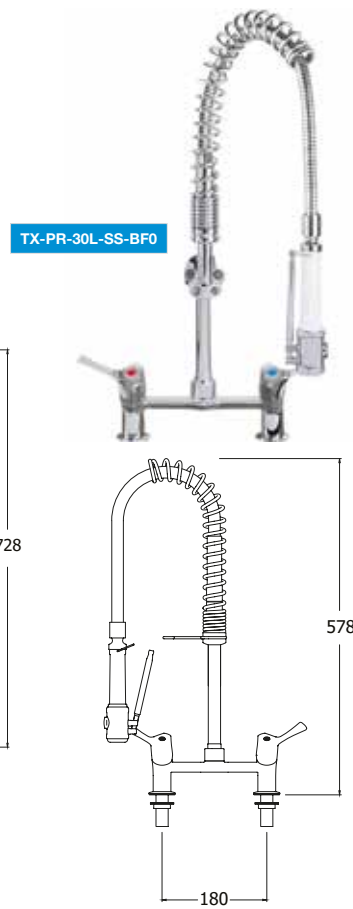
***NOTE:** When ordering a LEVER operated 30 Range model for dish washing stations you will need a minimum of 120mm clearance for the lever handles when in the 'OPEN' position. We recommend you order DOME models for this application.



TX-PR-30L-ST-BF0



TX-PR-30L-SH-BF0



TX-PR-30L-SS-BF0



LEVER CONTROLS*

	WITH 150mm (BF1) BOWL FILLING FAUCET		WITH 300mm (BF2) BOWL FILLING FAUCET	
Models	STANDARD	TX-PR-30L-ST-BF0	TX-PR-30L-ST-BF1	TX-PR-30L-ST-BF2
Description	LEVER operated TX-PR-30L base / STANDARD height / No bowl filler H : 1055mm		LEVER operated TX-PR-30L base / STANDARD height / BF1 bowl filler H : 1187mm	
Models	SHORT	TX-PR-30L-SH-BF0	TX-PR-30L-SH-BF1	TX-PR-30L-SH-BF2
Description	LEVER operated TX-PR-30L base / SHORT height / No bowl filler H : 728mm		LEVER operated TX-PR-30L base / SHORT height / BF1 bowl filler H : 860mm	
Models	SUPER SHORT	TX-PR-30L-SS-BF0	TX-PR-30L-SS-BF1	TX-PR-30L-SS-BF2
Description	LEVER operated TX-PR-30L base / SUPER SHORT height / No bowl filler H : 578mm		LEVER operated TX-PR-30L base / SUPER SHORT height / BF1 bowl filler H : 658mm	

Recommended static water pressure range: 1.5 - 5 bar.
Maximum water temperature: 149°F (65°C).

NOTE: Heights for all models will vary depending on spring tension.
For line drawings or CAD drawings visit www.mechline.com.

Flow rates for all TX-PR-30 models - tested at 3 bar pressure

SPRAY GUN	WATER-SAVING face plate: 4.52 l/m	STANDARD face plate: 7.84 l/m
BOWL FILLER	WATER-SAVING diffuser: 3.74 l/m	STANDARD diffuser: 9.33 l/m



WATER



GAS



ENVIRONMENT



PEST CONTROL

PRE-RINSE SPRAYS

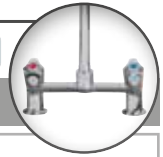
AQUATECHNIX

DECK MOUNTED - TX-30 Range

STANDARD

SHORT

SUPER SHORT

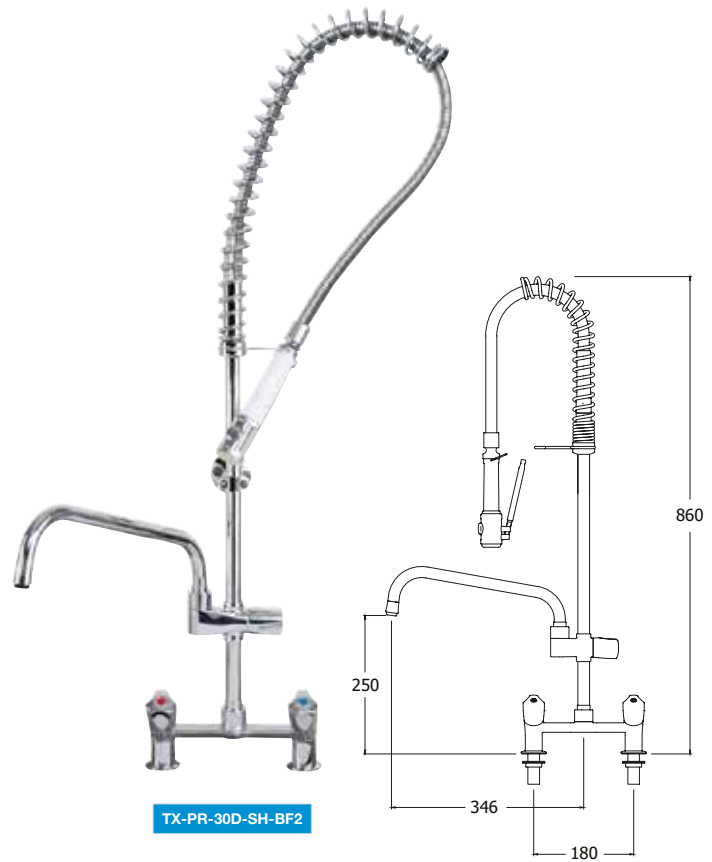


TWIN PEDESTAL TWIN WATER FEED

1/2" connections. Tap hole Ø 25mm, 180mm centres (150mm centres available on request).
Restraining wire supplied as standard.



TX-PR-30D-ST-BF1



TX-PR-30D-SH-BF2



DOME HEAD CONTROLS

	WITH 150mm (BF1) BOWL FILLING FAUCET		WITH 300mm (BF2) BOWL FILLING FAUCET	
Models	STANDARD	TX-PR-30D-ST-BF0	TX-PR-30D-ST-BF1	TX-PR-30D-ST-BF2
Description	DOME head operated TX-PR-30D base / STANDARD height / No bowl filler H : 1055mm		DOME head operated TX-PR-30D base / STANDARD height / BF1 bowl filler H : 1187mm	
Models	SHORT	TX-PR-30D-SH-BF0	TX-PR-30D-SH-BF1	TX-PR-30D-SH-BF2
Description	DOME head operated TX-PR-30D base / SHORT height / No bowl filler H : 728mm		DOME head operated TX-PR-30D base / SHORT height / BF2 bowl filler H : 860mm	
Models	SUPER SHORT	TX-PR-30D-SS-BF0	TX-PR-30D-SS-BF1	TX-PR-30D-SS-BF2
Description	DOME head operated TX-PR-30D base / SUPER SHORT height / No bowl filler H : 578mm		DOME head operated TX-PR-30D base / SUPER SHORT height / BF2 bowl filler H : 658mm	

Recommended static water pressure range: 1.5 - 5 bar.
Maximum water temperature: 149°F (65°C).
NOTE: Heights for all models will vary depending on spring tension.
For line drawings or CAD drawings visit www.mechline.com.

Flow rates for all TX-PR-30 models - tested at 3 bar pressure

SPRAY GUN	WATER-SAVING face plate: 4.52 l/m	STANDARD face plate: 7.84 l/m
BOWL FILLER	WATER-SAVING diffuser: 3.74 l/m	STANDARD diffuser: 9.33 l/m



WATER



GAS



ENVIRONMENT



PEST CONTROL

PRE-RINSE SPRAYS

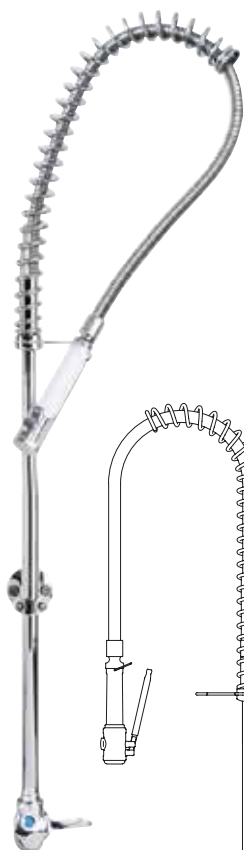
AQUATECHNIX

PANEL MOUNTED - TX-15 Range

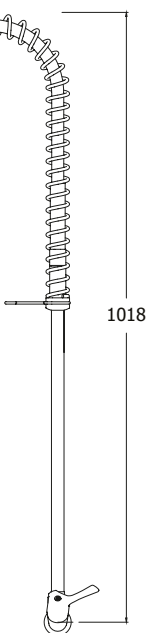
STANDARD SHORT SUPER SHORT

SINGLE PEDESTAL SINGLE WATER FEED MONOBLOC

1/2" connection. 30mm maximum panel thickness. Tap hole Ø 25mm.
Restraining wire supplied as standard.



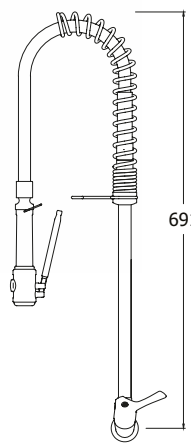
TX-PR-15L-ST-BF0



1018



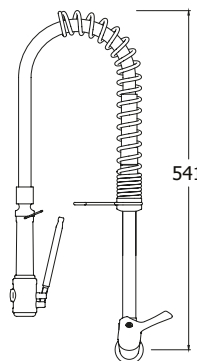
TX-PR-15L-SH-BF0



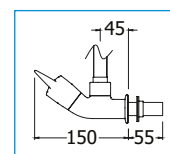
691



TX-PR-15L-SS-BF0



541



LEVER CONTROLS		WITH 150mm (BF1) BOWL FILLING FAUCET	WITH 300mm (BF2) BOWL FILLING FAUCET
Models	STANDARD TX-PR-15L-ST-BF0	TX-PR-15L-ST-BF1	TX-PR-15L-ST-BF2
Description	LEVER operated TX-PR-15L base / STANDARD height / No bowl filler H : 1018mm	LEVER operated TX-PR-15L base / STANDARD height / BF1 bowl filler H : 1150mm	LEVER operated TX-PR-15L base / STANDARD height / BF2 bowl filler H : 1150mm
Models	SHORT TX-PR-15L-SH-BF0	TX-PR-15L-SH-BF1	TX-PR-15L-SH-BF2
Description	LEVER operated TX-PR-15L base / SHORT height / No bowl filler H : 691mm	LEVER operated TX-PR-15L base / SHORT height / BF1 bowl filler H : 823mm	LEVER operated TX-PR-15L base / SHORT height / BF2 bowl filler H : 823mm
Models	SUPER SHORT TX-PR-15L-SS-BF0	TX-PR-15L-SS-BF1	TX-PR-15L-SS-BF2
Description	LEVER operated TX-PR-15L base / SUPER SHORT height / No bowl filler H : 541mm	LEVER operated TX-PR-15L base / SUPER SHORT height / BF1 bowl filler H : 621mm	LEVER operated TX-PR-15L base / SUPER SHORT height / BF2 bowl filler H : 621mm

Recommended static water pressure range: 1.5 - 5 bar.

Maximum water temperature: 149°F (65°C).

NOTE: Heights for all models will vary depending on spring tension.

For line drawings or CAD drawings visit www.mechline.com.

Flow rates for all TX-PR-15 models – tested at 3 bar pressure

SPRAY GUN	WATER-SAVING face plate: 4.11 l/m	STANDARD face plate: 10.84 l/m
BOWL FILLER	WATER-SAVING diffuser: 3.71 l/m	STANDARD diffuser: 10.31 l/m



WATER



GAS



ENVIRONMENT



PEST CONTROL

PRE-RINSE SPRAYS

AQUATECHNIX

PANEL MOUNTED - TX-15 Range

STANDARD

SHORT

SUPER SHORT



SINGLE PEDESTAL SINGLE WATER FEED MONOBLOC

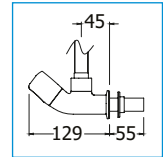
1/2" connection. 30mm maximum panel thickness. Tap hole Ø 25mm.
Restraining wire supplied as standard.



TX-PR-15D-ST-BF1



TX-PR-15D-SH-BF2



DOMES HEAD CONTROLS		WITH 150mm (BF1) BOWL FILLING FAUCET	WITH 300mm (BF2) BOWL FILLING FAUCET
Models	STANDARD TX-PR-15D-ST-BF0	TX-PR-15D-ST-BF1	TX-PR-15D-ST-BF2
Description	DOMES head operated TX-PR-15D base / STANDARD height / No bowl filler H : 1018mm	DOMES head operated TX-PR-15D base / STANDARD height / BF1 bowl filler H : 1150mm	DOMES head operated TX-PR-15D base / STANDARD height / BF2 bowl filler H : 1150mm
Models	SHORT TX-PR-15D-SH-BF0	TX-PR-15D-SH-BF1	TX-PR-15D-SH-BF2
Description	DOMES head operated TX-PR-15D base / SHORT height / No bowl filler H : 691mm	DOMES head operated TX-PR-15D base / SHORT height / BF1 bowl filler H : 823mm	DOMES head operated TX-PR-15D base / SHORT height / BF2 bowl filler H : 823mm
Models	SUPER SHORT TX-PR-15D-SS-BF0	TX-PR-15D-SS-BF1	TX-PR-15D-SS-BF2
Description	DOMES head operated TX-PR-15D base / SUPER SHORT height / No bowl filler H : 541mm	DOMES head operated TX-PR-15D base / SUPER SHORT height / BF1 bowl filler H : 621mm	DOMES head operated TX-PR-15D base / SUPER SHORT height / BF2 bowl filler H : 621mm

Recommended static water pressure range: 1.5 - 5 bar.
Maximum water temperature: 149°F (65°C).
NOTE: Heights for all models will vary depending on spring tension.
For line drawings or CAD drawings visit www.mechline.com.

Flow rates for all TX-PR-15 models - tested at 3 bar pressure

SPRAY GUN	WATER-SAVING face plate: 4.11 l/m	STANDARD face plate: 10.84 l/m
BOWL FILLER	WATER-SAVING diffuser: 3.71 l/m	STANDARD diffuser: 10.31 l/m



WATER



GAS



ENVIRONMENT



PEST CONTROL

PRE-RINSE SPRAYS

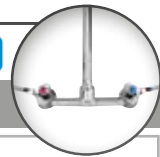
AQUATECHNIX

PANEL MOUNTED - TX-40 Range

STANDARD

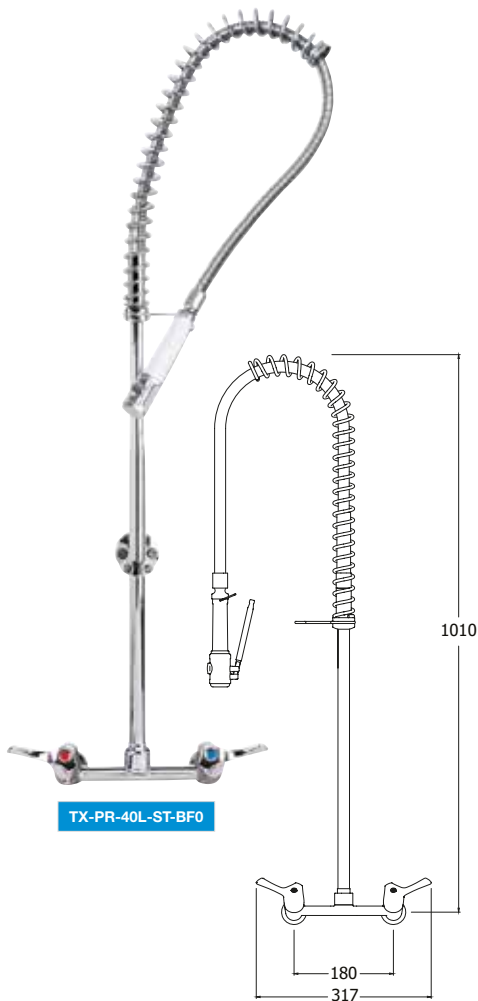
SHORT

SUPER SHORT

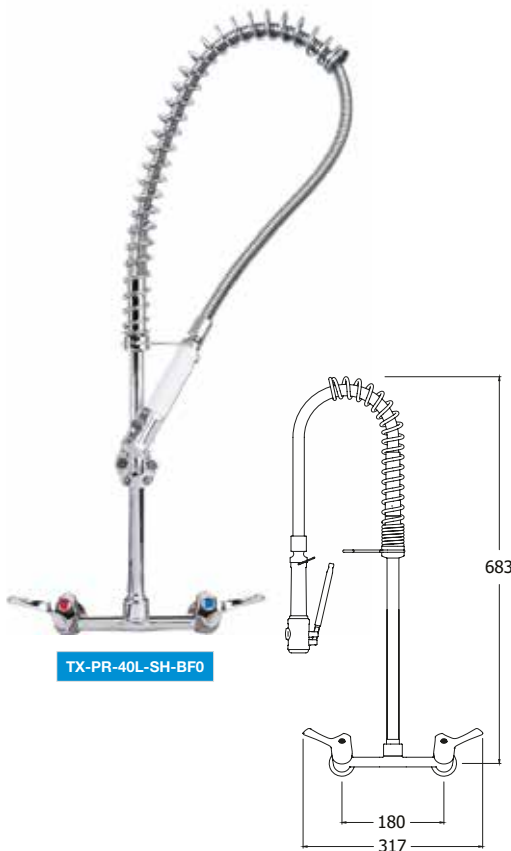


TWIN PEDESTAL TWIN WATER FEED

1/2" connections. 30mm maximum panel thickness. Tap hole Ø 25mm, 180mm centres (150mm centres available on request).
Restraining wire supplied as standard.



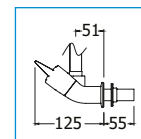
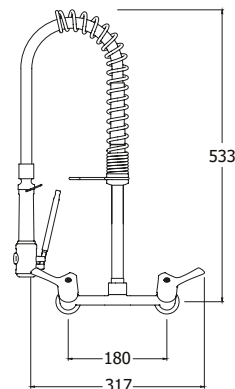
TX-PR-40L-ST-BF0



TX-PR-40L-SH-BF0



TX-PR-40L-SS-BF0



LEVER CONTROLS

	WITH 150mm (BF1) BOWL FILLING FAUCET		WITH 300mm (BF2) BOWL FILLING FAUCET	
Models	STANDARD	TX-PR-40L-ST-BF0	TX-PR-40L-ST-BF1	TX-PR-40L-ST-BF2
Description	LEVER operated TX-PR-40L base / STANDARD height / No bowl filler H : 1010mm		LEVER operated TX-PR-40L base / STANDARD height / BF1 bowl filler H : 1142mm	LEVER operated TX-PR-40L base / STANDARD height / BF2 bowl filler H : 1142mm
Models	SHORT	TX-PR-40L-SH-BF0	TX-PR-40L-SH-BF1	TX-PR-40L-SH-BF2
Description	LEVER operated TX-PR-40L base / SHORT height / No bowl filler H : 683mm		LEVER operated TX-PR-40L base / SHORT height / BF1 bowl filler H : 815mm	LEVER operated TX-PR-40L base / SHORT height / BF2 bowl filler H : 815mm
Models	SUPER SHORT	TX-PR-40L-SS-BF0	TX-PR-40L-SS-BF1	TX-PR-40L-SS-BF2
Description	LEVER operated TX-PR-40L base / SUPER SHORT height / No bowl filler H : 533mm		LEVER operated TX-PR-40L base / SUPER SHORT height / BF1 bowl filler H : 613mm	LEVER operated TX-PR-40L base / SUPER SHORT height / BF2 bowl filler H : 613mm

Recommended static water pressure range: 1.5 - 5 bar.

Maximum water temperature: 149°F (65°C).

NOTE: Heights for all models will vary depending on spring tension.

For line drawings or CAD drawings visit www.mechline.com.

Flow rates for all TX-PR-40 models - tested at 3 bar pressure

SPRAY GUN	WATER-SAVING face plate: 4.52 l/m	STANDARD face plate: 10.33 l/m
BOWL FILLER	WATER-SAVING diffuser: 3.70 l/m	STANDARD diffuser: 9.55 l/m



WATER



GAS



ENVIRONMENT



PEST CONTROL

PRE-RINSE SPRAYS

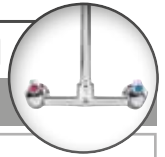
AQUATECHNIX

PANEL MOUNTED - TX-40 Range

STANDARD

SHORT

SUPER SHORT



TWIN PEDESTAL TWIN WATER FEED

1/2" connections. 30mm maximum panel thickness. Tap hole Ø 25mm, 180mm centres (150mm centres available on request).
Restraining wire supplied as standard.



TX-PR-40D-ST-BF1



TX-PR-40D-SH-BF2



DOME HEAD CONTROLS

	WITH 150mm (BF1) BOWL FILLING FAUCET		WITH 300mm (BF2) BOWL FILLING FAUCET	
Models	STANDARD	TX-PR-40D-ST-BF0	TX-PR-40D-ST-BF1	TX-PR-40D-ST-BF2
Description	DOME head operated TX-PR-40D base / STANDARD height / No bowl filler H : 1010mm		DOME head operated TX-PR-40D base / STANDARD height / BF1 bowl filler H : 1142mm	
Models	SHORT	TX-PR-40D-SH-BF0	TX-PR-40D-SH-BF1	TX-PR-40D-SH-BF2
Description	DOME head operated TX-PR-40D base / SHORT height / No bowl filler H : 683mm		DOME head operated TX-PR-40D base / SHORT height / BF1 bowl filler H : 815mm	
Models	SUPER SHORT	TX-PR-40D-SS-BF0	TX-PR-40D-SS-BF1	TX-PR-40D-SS-BF2
Description	DOME head operated TX-PR-40D base / SUPER SHORT height / No bowl filler H : 533mm		DOME head operated TX-PR-40D base / SUPER SHORT height / BF1 bowl filler H : 613mm	

Recommended static water pressure range: 1.5 - 5 bar.

Maximum water temperature: 149°F (65°C).

NOTE: Heights for all models will vary depending on spring tension.

For line drawings or CAD drawings visit www.mechline.com.

Flow rates for all TX-PR-40 models - tested at 3 bar pressure

SPRAY GUN	WATER-SAVING face plate: 4.52 l/m	STANDARD face plate: 10.33 l/m
BOWL FILLER	WATER-SAVING diffuser: 3.70 l/m	STANDARD diffuser: 9.55 l/m



WATER



GAS



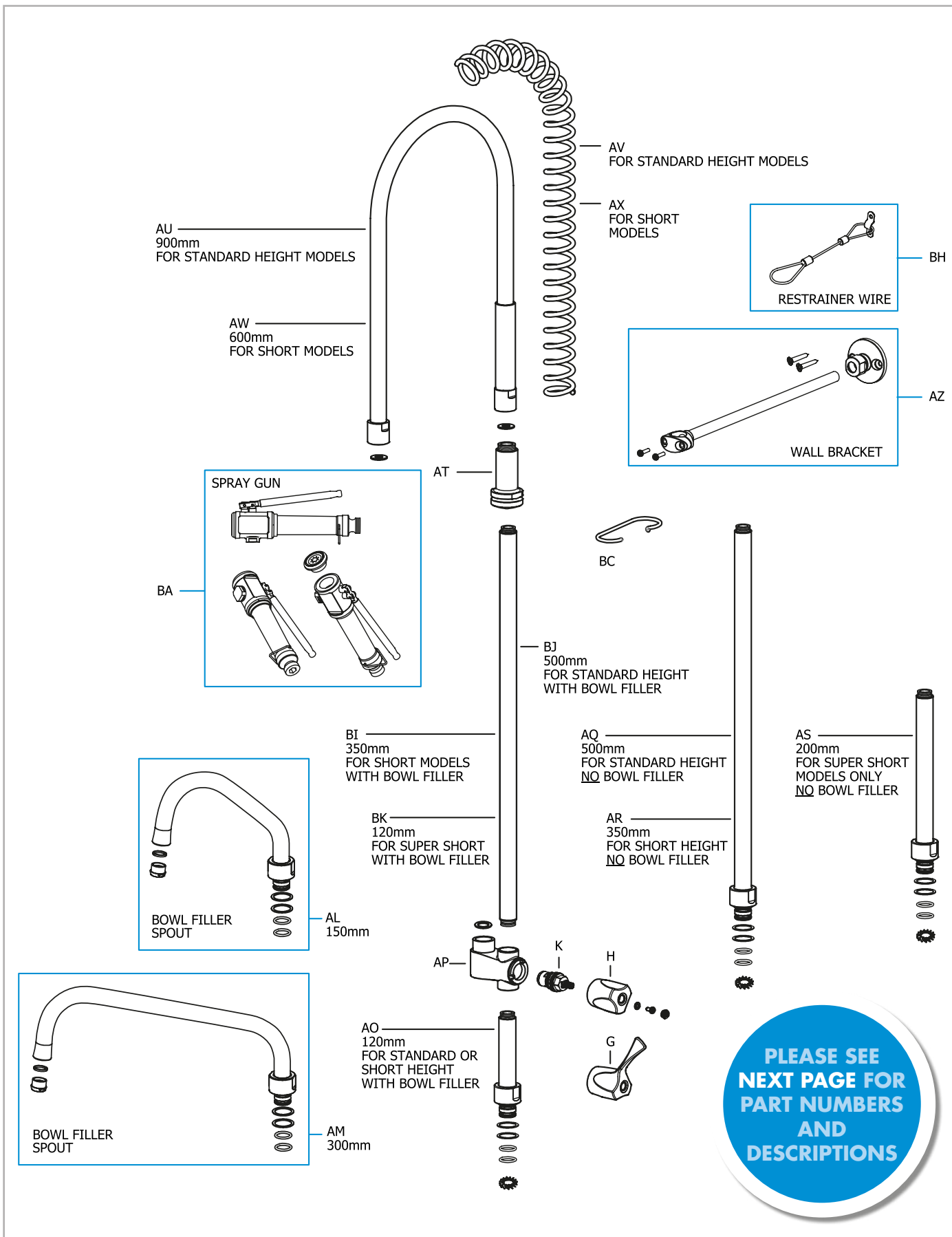
ENVIRONMENT



PEST CONTROL

PRE-RINSE SPRAYS SPARE PARTS

AQUATECHNIX





WATER



GAS



ENVIRONMENT



PEST CONTROL

AQUATECHNIX 10, 15, 20, 30 & 40 SPARE PARTS

Note: Some parts also fit AquaTechniX faucets.

	Part Numbers	Description
G	TXLH2	Lever Handle 2 (Single – includes screw, washer and divet)
H	TXDH	Dome Handle (Single – includes screw, washer and divet)
K	TXCC1	Ceramic Cartridge 1 (Single)
AL	TXSP150FSPOUT	150 (6") Flat Complete Pre-Rinse Spout (Single)
AM	TXSP300FSPOUT	300 (12") Flat Complete Pre-Rinse Spout (Single)
AO	TXBFRT	Bowl Filler 120mm Riser Tube, Washers & O Rings (Single)
AP	TXBFBOD	Bowl Filler Body (No Valve - Single)
AQ	TXSTRTNBF	Standard 500mm Riser Tube For No Bowl Filler (Single with Washers & O Rings)
AR	TXSHRTNBF	Short 350mm Riser Tube For No Bowl Filler (Single with Washers & O Rings)
AS	TXSSRT	Super Short 200mm Riser Tube (Single)
AT	TXRTB	Riser Tube Block (Single - No Hook)

	Part Numbers	Description
AU	TXSTHOSE	Standard 900mm Hose (Single with 2 Washers)
AV	TXSTSPRING	Standard Main Spring (Single)
AW	TXSHHOSE	Short 600mm Hose (Single with 2 Washers)
AX	TXSHSPRING	Short Main Spring (Single)
AZ	TXPRWB	Wall Bracket (Single with 2 Wall Screws)
BA	TXSPRAYGUN	Spray Gun (Single Complete With 1 Hose Washer)
BC	TXSGH	Spray Gun Hook (Single)
BH	AJPR-RS	Restraining Device (Single)
BI	TXSHRTFBF	Short 350mm Riser Tube For Use With Bowl Filler (Single with Washers & O Rings)
BJ	TXSTRTFBF	Standard 500mm Riser Tube For Use With Bowl Filler (Single with Washers & O Rings)
BK	TXSSRTFBF	Super Short 120mm Riser Tube For Use With Bowl Filler (Single With Washers & O Rings)



Because food service professionals
deserve the right products!



**VISIT OUR WEBSITE
TO CREATE YOUR UNIQUE USER LOGIN**

FOR ALL PRICING INFORMATION AND ORDERING

www.mechline.com





WATER



GAS



ENVIRONMENT



PEST CONTROL

PRE-RINSE SPRAYS

AQUAJET

WRAS-approved and ideal for commercial kitchens

AquaJet pre-rinses from Mechline are pre-assembled and pre-tested to 6 bar - ready to install. Choose from a variety of models and options to suit any application. Matching taps are also part of the range.

PRE-ASSEMBLED AND PRE-TESTED



WATER SAVINGS

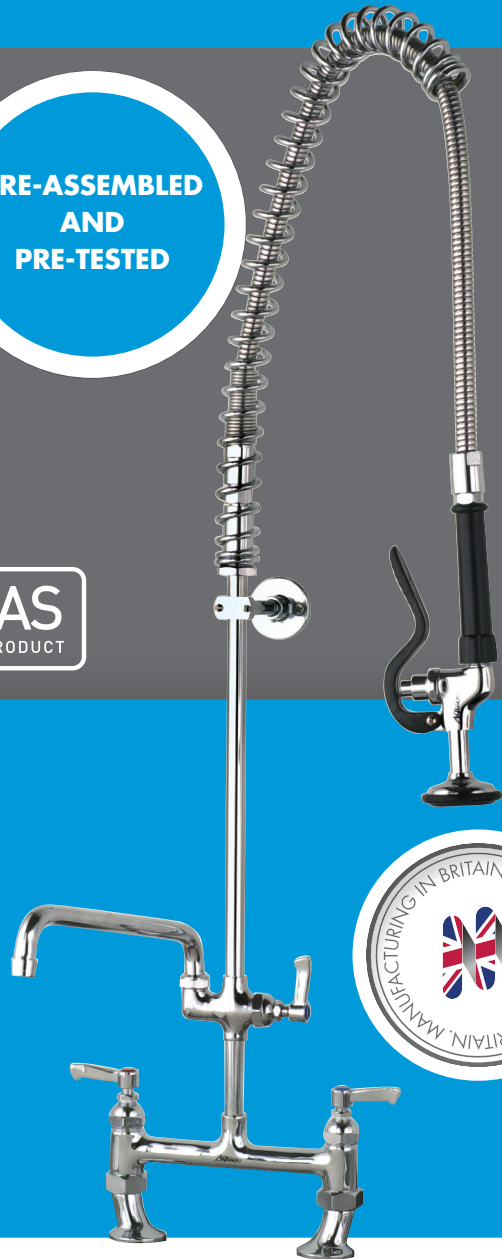
Water Savings! SAVE UP TO 47%



Choose our optional EcO Water-Saving Gun (pictured left) and you could save up to 47% of water!

Save up to 33% with our optional Fan Blade Gun.

Save up to 27% with our Water-Saving Gun.



WATER SAVING/COST SAVING CALCULATOR @ 3 BAR PRESSURE

Product Description	Typical Delivery (litres per minute)	Typical Water Savings (over a standard gun)
AJPR10 - with optional Water-Saving Gun	5.65 Lt/min	27%
AJPR10 - with optional Fan Blade Gun	5.22 Lt/min	33%
AJPR10 - with optional EcO Water-Saving Gun	4.11 Lt/min	47%
AJPR30 - with optional Water-Saving Gun	5.92 Lt/min	26%
AJPR30 - with optional Fan Blade Gun	5.33 Lt/min	33%
AJPR30 - with optional EcO Water-Saving Gun	4.20 Lt/min	47%



WATER



GAS



ENVIRONMENT



PEST CONTROL

PRE-RINSE SPRAYS

AQUAJET

FEATURES

- A variety of choices to suit each application
- WRAS approved across the range
- Pre-assembled, ready to install - saves time on site
- All assembled models are factory tested up to 6 bar for quality assurance
- Choice of optional bowl fillers, water dispensing guns and accessories



- Maximum water temperature: 149°F (65°C)
- Restraining device available to prevent hose from overstretching into basin, which reduces abuse and helps meet Water Board regulations
- Super strong, food-grade, high-flow water hose
- Complete spares available which also fit most brands of pre-rinses on the market
- Backed up by Mechline warranty



HOW TO ORDER YOUR PRE-RINSE IN 4 EASY STEPS

1 CHOOSE THE BASE



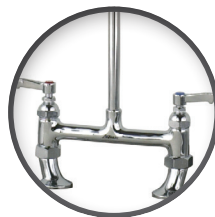
Single Pedestal / Single Feed – Deck Mounted

AJPR10



Single Pedestal / Twin Feed – Deck Mounted

AJPR20



Twin Pedestal / Twin Feed – Deck Mounted

AJPR30



Single Pedestal / Single Feed – Panel Mounted

AJPR15



Twin Pedestal / Twin Feed – Panel Mounted

AJPR40

2 CHOOSE THE STYLE



Standard

ST

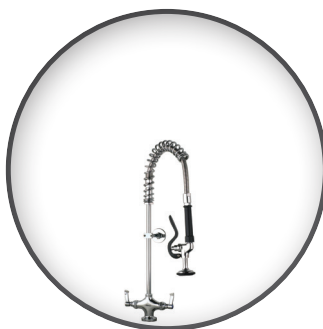
with **AJPR10** base

with **AJPR20** base

with **AJPR30** base

with **AJPR15** base

with **AJPR40** base



Short

SH

with **AJPR10** base

with **AJPR20** base

with **AJPR30** base

Not an option with AJPR15 base

Not an option with AJPR40 base



Super Short

SS

with **AJPR10** base

with **AJPR20** base

with **AJPR30** base

Not an option with AJPR15 base

Not an option with AJPR40 base



Hangman

HM

with **AJPR10** base

with **AJPR20** base

with **AJPR30** base

Only available on request

Only available on request



WATER



GAS



ENVIRONMENT



PEST CONTROL

PRE-RINSE SPRAYS

AQUAJET

3 DO YOU REQUIRE A BOWL FILLER?



150mm Bowl filling Faucet

BF1

Not an option with Super Short style



300mm Bowl filling Faucet

BF2

Not an option with Super Short style



400mm Bowl filling Faucet

BF3

Not an option with Super Short style



No Bowl filling Faucet

BF0

IF NOT REQUIRED
or
NOT AN AVAILABLE OPTION
please add **BF0** to your order code

4 CHOOSE THE SPRAY GUN



Rose Head gun

S

No additional charge add **S** to your order code



Angled head gun

A



Fan Blade head gun

F



Water-Saving head gun

W



"EcO" Water-Saving gun

E

EXAMPLES

Base	Style	Bowl Filler	Spray Gun		Codes would be written as:
AJPR20	ST	BF2	S	=	AJPR20-ST-BF2-S
AJPR30	SS	BF0	F	=	AJPR30-SS-BF0-F

SOME OPTIONAL EXTRAS TO CONSIDER...



AJPR-RS

Restraining Device
Prevents the spray arm from being overstretched or pulled into the sink.



AJ-PANELFIX-KIT

Panel-Fixing Kit
For panel mounted models only.



WATER



GAS



ENVIRONMENT



PEST CONTROL

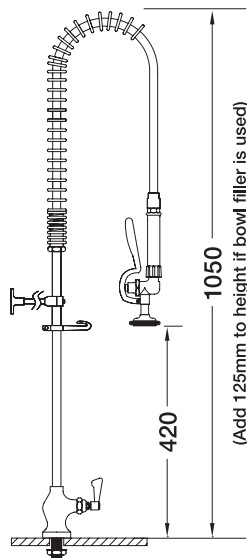
PRE-RINSE SPRAYS

AQUAJET

DECK MOUNTED - AQUAJET 10

STANDARD SHORT SUPER SHORT HANGMAN

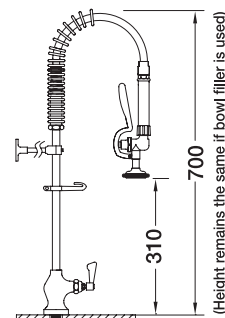
SINGLE PEDESTAL SINGLE WATER FEED MONOBLOC with lever control and standard rose head gun



(M) 1/2-inch connection
Tap hole req.: 25mm dia.

AquaJet 10 STANDARD

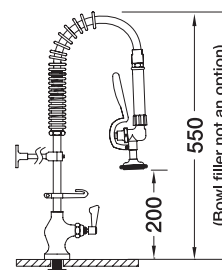
Model	Description
AJPR10-ST-BF0-S	AJPR10 base / STANDARD style / No bowl filler / STANDARD gun



(M) 1/2-inch connection
Tap hole req.: 25mm dia.

AquaJet 10 SHORT

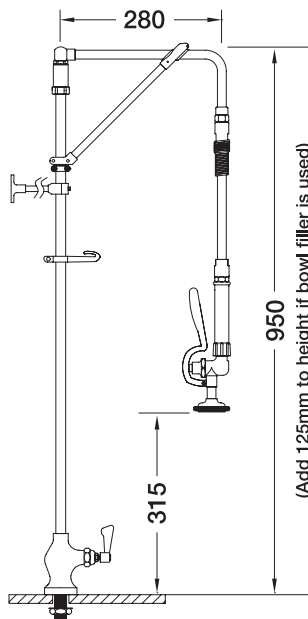
Model	Description
AJPR10-SH-BF0-S	AJPR10 base / SHORT style / No bowl filler / STANDARD gun



(M) 1/2-inch connection
Tap hole req.: 25mm dia.

AquaJet 10 SUPER SHORT

Model	Description
AJPR10-SS-BF0-S	AJPR10 base / Super SHORT style / No bowl filler / STANDARD gun



(M) 1/2-inch connection
Tap hole req.: 25mm dia.

AquaJet 10H HANGMAN

Model	Description
AJPR10-HM-BF0-S	AJPR10 base / HANGMAN style / No bowl filler / STANDARD gun

**VISIT OUR WEBSITE
TO DOWNLOAD**

IMAGES, DATA SHEETS, CERTIFICATES,
LINE DRAWINGS, INSTRUCTIONS, BIM FILES,
CAD DRAWINGS & 3D DRAWINGS.

www.mechline.com



WATER



GAS



ENVIRONMENT



PEST CONTROL

PRE-RINSE SPRAYS

AQUAJET

DECK MOUNTED - AQUAJET 20

STANDARD

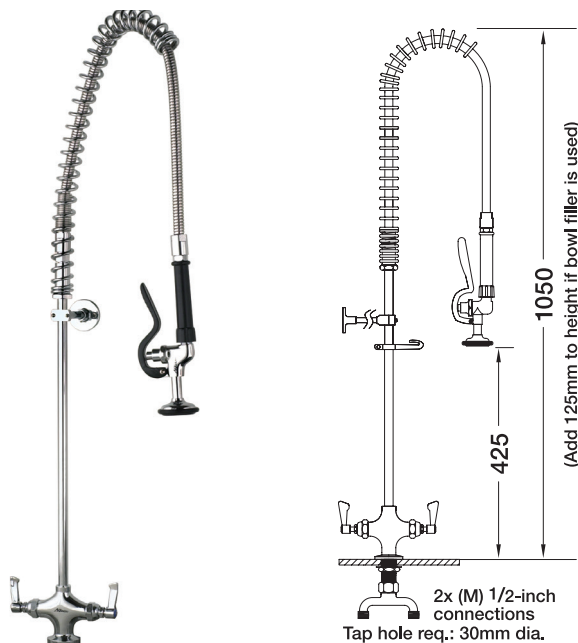
SHORT

SUPER SHORT

HANGMAN



SINGLE PEDESTAL TWIN WATER FEED MONOBLOC with lever controls and standard rose head gun



AquaJet 20 **STANDARD**

Model	Description
AJPR20-ST-BF0-S	AJPR20 base / STANDARD style / No bowl filler / STANDARD gun



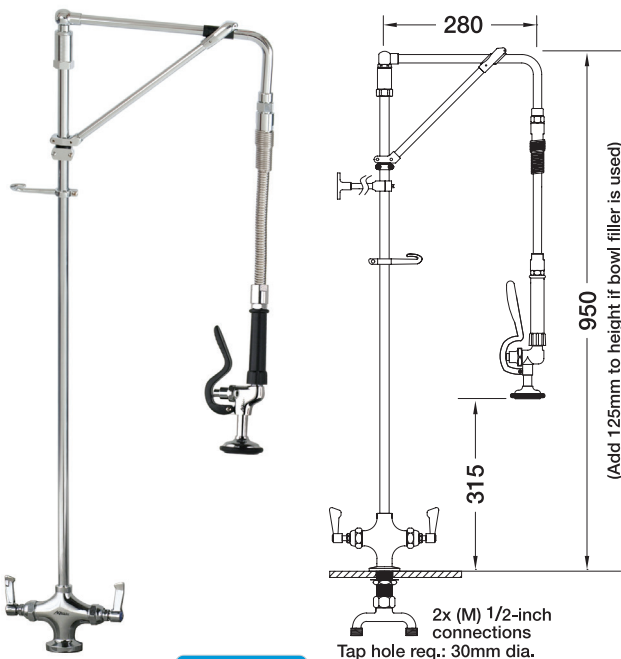
AquaJet 20 **SHORT**

Model	Description
AJPR20-SH-BF0-S	AJPR20 base / SHORT style / No bowl filler / STANDARD gun



AquaJet 20 **SUPER SHORT**

Model	Description
AJPR20-SS-BF0-S	AJPR20 base / Super SHORT style / No bowl filler / STANDARD gun



AquaJet 20H **HANGMAN**

Model	Description
AJPR20-HM-BF0-S	AJPR20 base / HANGMAN style / No bowl filler / STANDARD gun

VISIT OUR WEBSITE
FOR ALL THE LATEST
MECHLINE NEWS

INCLUDING PRODUCT LAUNCHES, SUCCESS
STORIES AND CUSTOMER COMPETITIONS

www.mechline.com



WATER



GAS



ENVIRONMENT



PEST CONTROL

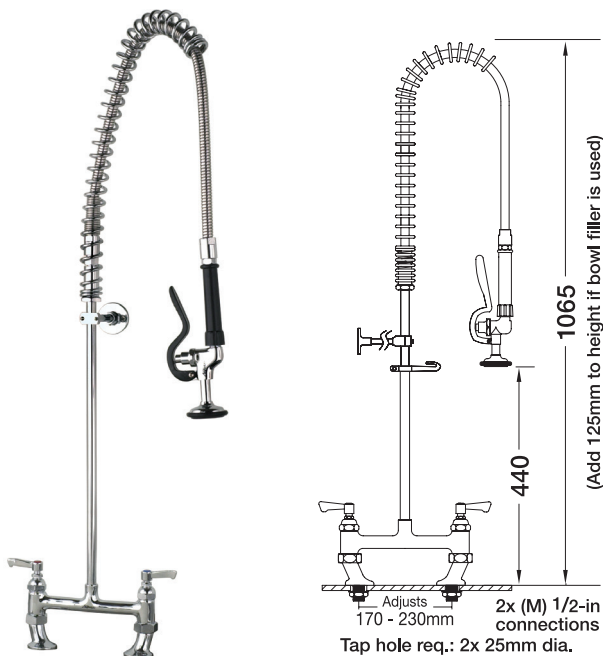
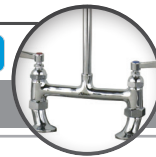
PRE-RINSE SPRAYS

AQUAJET

DECK MOUNTED - AQUAJET 30

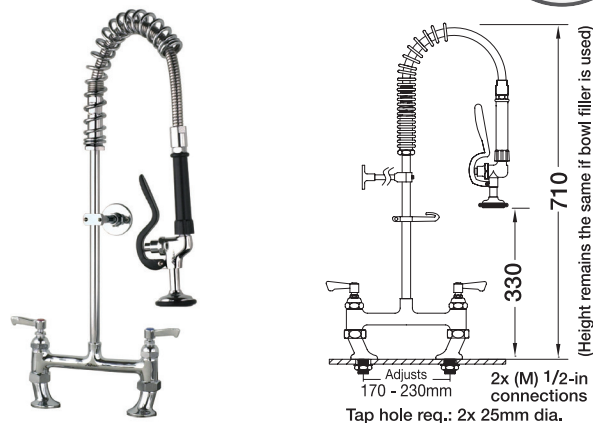
STANDARD SHORT SUPER SHORT HANGMAN

TWIN PEDESTAL TWIN WATER FEED with lever controls and standard rose head gun



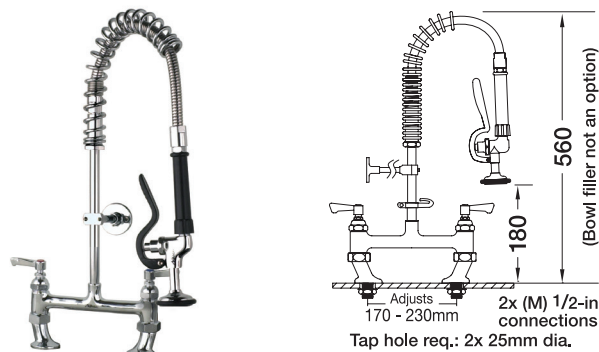
AquaJet 30 STANDARD

Model	Description
AJPR30-ST-BF0-S	AJPR30 base / STANDARD style / No bowl filler / STANDARD gun



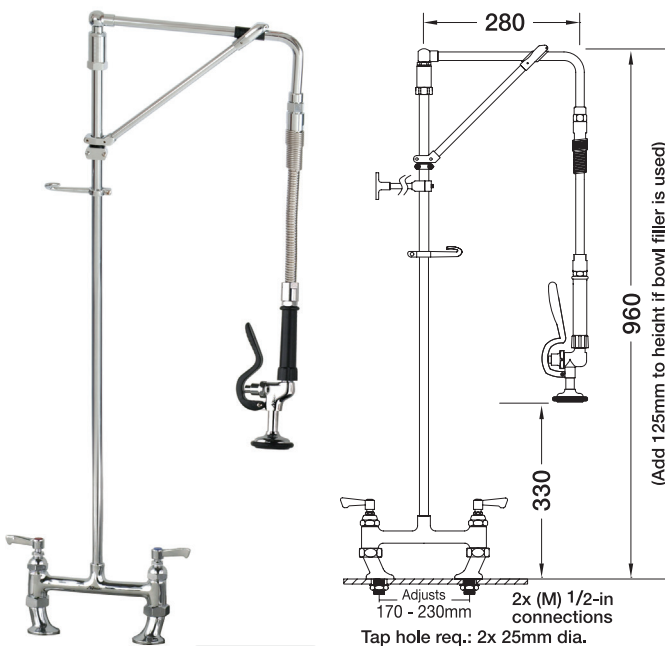
AquaJet 30 SHORT

Model	Description
AJPR30-SH-BF0-S	AJPR30 base / SHORT style / No bowl filler / STANDARD gun



AquaJet 30 SUPER SHORT

Model	Description
AJPR30-SS-BF0-S	AJPR30 base / Super SHORT style / No bowl filler / STANDARD gun



AquaJet 30H HANGMAN

Model	Description
AJPR30-HM-BF0-S	AJPR30 base / HANGMAN style / No bowl filler / STANDARD gun

**VISIT OUR WEBSITE
TO CREATE YOUR UNIQUE
USER LOGIN**

FOR ALL PRICING INFORMATION
AND ORDERING

www.mechline.com



WATER



GAS



ENVIRONMENT



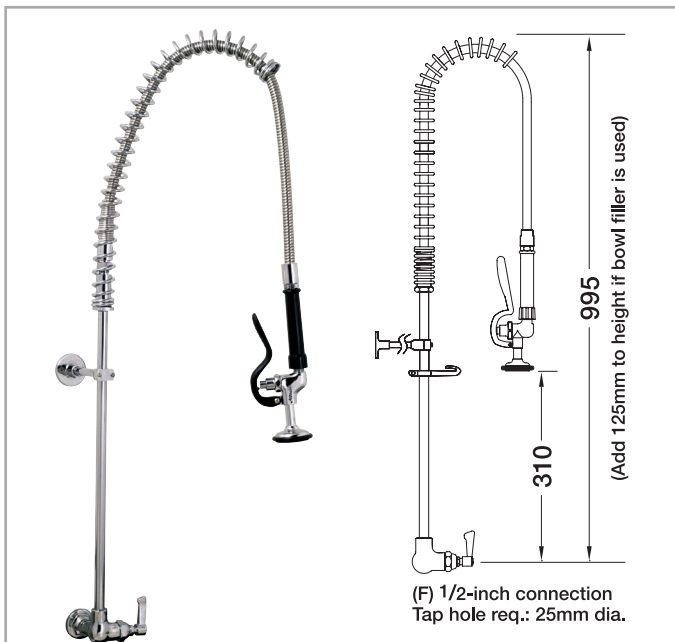
PEST CONTROL

PRE-RINSE SPRAYS

AQUAJET

PANEL MOUNTED - AQUAJET 15

SINGLE PEDESTAL SINGLE WATER FEED
MONOBLOC with lever control and standard
rose head gun

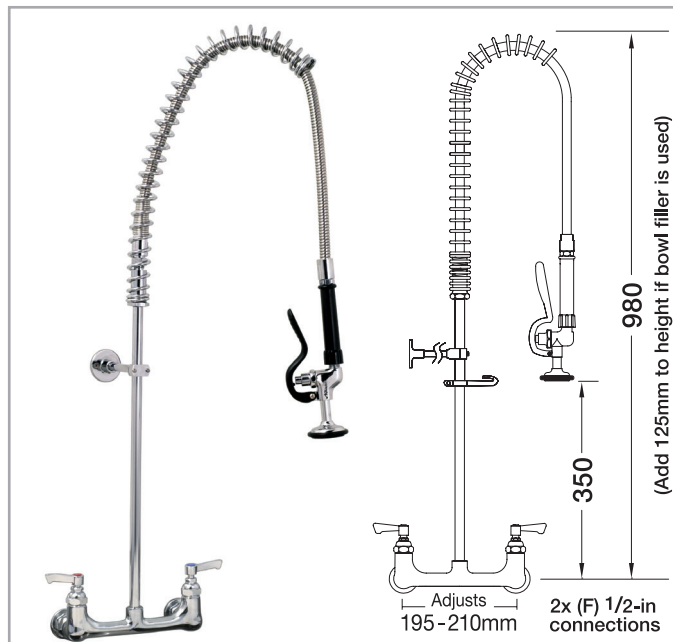


AquaJet 15

Model	Description
AJPR15-ST-BF0-S	AJPR15 base / STANDARD style / No bowl filler / STANDARD gun

PANEL MOUNTED - AQUAJET 40

TWIN PEDESTAL TWIN WATER FEED
with lever controls and standard rose head gun



AquaJet 40

Model	Description
AJPR40-ST-BF0-S	AJPR40 base / STANDARD style / No bowl filler / STANDARD gun

Optional
Panel Fixing
Kits
available



AJ-PANELFIX-KIT

Panel-Fixing Kit
For panel mounted models only.



AJPR-RS

Restraining Device
Prevents the spray arm from being
overstretched or pulled into the sink.

**VISIT OUR WEBSITE
TO VIEW THE LATEST MECHLINE VIDEOS**

FROM PROMOTIONAL PRODUCT VIDEOS TO
HOW-TO DEMONSTRATIONS

www.mechline.com





WATER



GAS



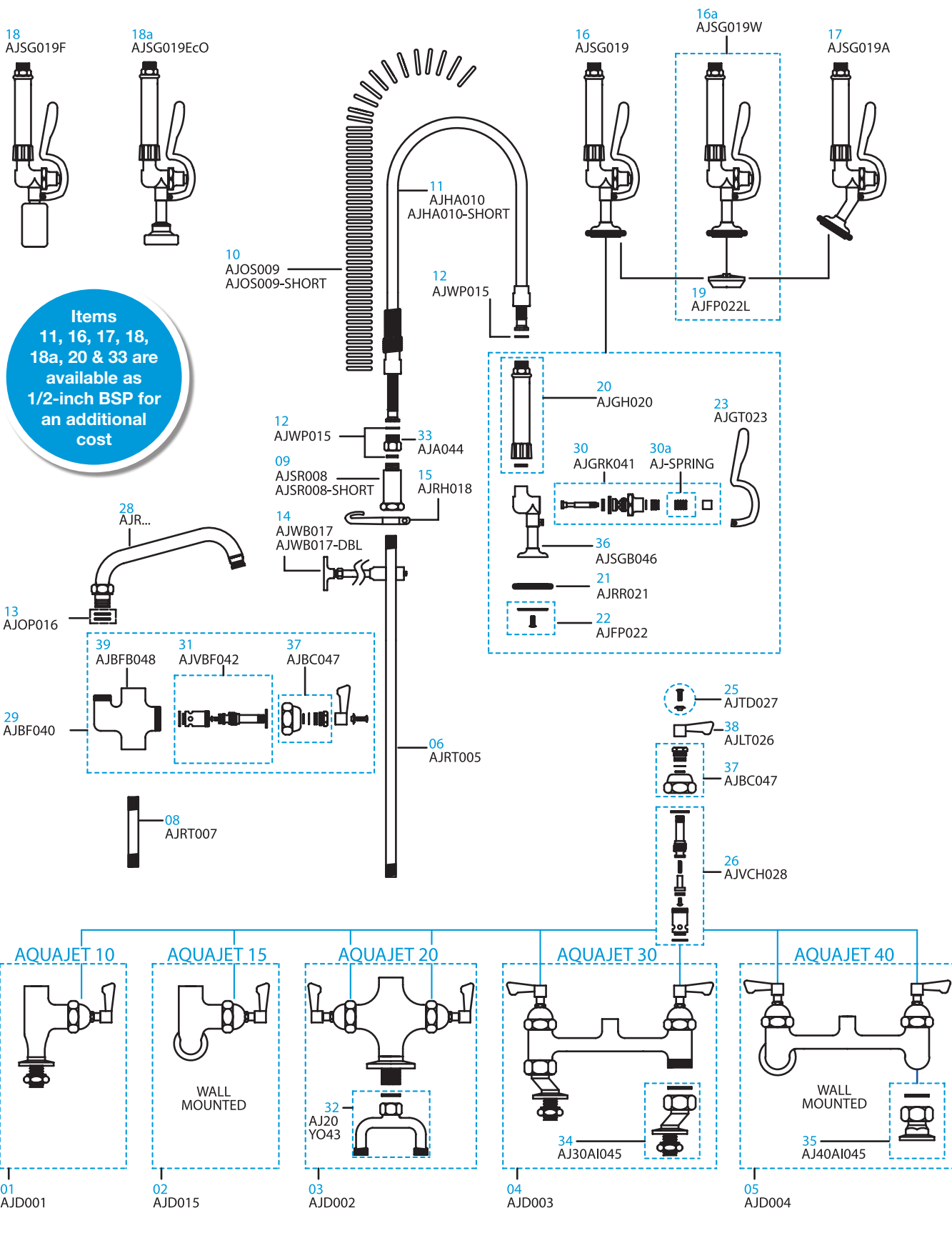
ENVIRONMENT



PEST CONTROL

PRE-RINSE SPRAYS SPARE PARTS

AQUAJET





WATER



GAS



ENVIRONMENT



PEST CONTROL

PRE-RINSE SPRAYS SPARE PARTS

AQUAJET

AQUAJET 10, 15, 20, 30 & 40 SPARE PARTS

Note: Some parts also fit AquaJet faucets and the AquaJet 50 pre-rinse spray.

	Part Number	Description
01	AJD001	Pre-Rinse Spray Body Deck for AJ-PR-10
02	AJD015	Pre-Rinse Spray Body Deck for AJ-PR-15
03	AJD002	Pre-Rinse Spray Body Deck for AJ-PR-20
04	AJD003	Pre-Rinse Spray Body Deck for AJ-PR-30
05	AJD004	Pre-Rinse Spray Body Deck for AJ-PR-40
06	AJRT005	500mm Riser
07	AJRT006	350mm Riser
07a	AJRT002	200mm Riser
08	AJRT007	100mm Riser
09	AJSR008	Spring Retainer
09a	AJSR008-SHORT	Spring Retainer (for Short models only)
10	AJOS009	Outer Support Spring
10a	AJOS009-SHORT	Outer Support Spring (for Short models only)
11	AJHA010*	Complete Inner & Outer Hose Assembly, c/w End Fittings
11a	AJHA010-SHORT*	Complete Inner & Outer Hose Assembly, c/w End Fittings (for Short models only)
12	AJWP015	Hose Assembly Washer Pack (3 washers)
13	AJOP016	Spout "O" Ring Pack (2 x "O" rings)
14	AJWB017	Wall Bracket (Length: 300mm; dia. 17.15mm)
14a	AJWB017-DLB	Double Length Wall Bracket (Length: 600mm; dia. 17.15mm)
15	AJRH018	Riser Hook for Pre-Rinse Spray Head
16	AJSG019*	Complete Pre-Rinse Spray Gun Assembly Standard Rose Head
16a	AJSG019W*	Complete Pre-Rinse Spray Standard Gun Assembly, c/w Water Saving Face Plate
17	AJSG019A*	Complete Pre-Rinse Spray Gun Assembly Angled Rose Head
18	AJSG019F*	Complete Pre-Rinse Spray Gun Assembly Fan Blade Head
18a	AJSG019EcO*	Complete Pre-Rinse Spray Gun Assembly "EcO" Water Saving Head
19	AJFP022L	Water Saving Face Plate (for Standard Rose Head & Angled Rose Head Guns only)
20	AJGH020*	Spray Gun Handle & Washer
21	AJRR021	Rubber Ring
22	AJFP022	Faceplate & Screw
23	AJGT023	Trigger (includes screw)

	Part Number	Description
25	AJTD027	2 Red, 2 Blue Inserts & 2 Screws
26	AJVCH028	1 Valve Body (fits hot on Lever Head Body or hot & cold on Cross Head Body)
27	AJVC029	1 Valve Body (fits cold ONLY) for Lever Head Body
Replacement Spouts for Bowl Fillers & Faucets:		
28a	AJRS031	150mm (6-inch)
28b	AJRG032	150mm (6-inch) Gooseneck
28c	AJRS035	300mm (12-inch)
28d	AJRS037	400mm (16-inch)
28e	AJRSD038	450mm (18-inch) Double Jointed
29	AJBF040L	Bowl Filler Body
30	AJGRK041	Spray Gun Valve Repair Kit
30a	AJ-SPRING	Spray Gun Valve Spring ONLY
31	AJVBF042	1 Valve Body (for bowl filler ONLY)
32	AJ20Y043	AJ-PR-20 Brass Yoke & Washer
33	AJA044*	Hose Adapter
34	AJ30AI045	AJ-PR-30 Adjustable Inlet & Washer (sold individually)
35	AJ40AI045	AJ-PR-40 Adjustable Inlet & Washer (sold individually)
36	AJSGB046	Spray Gun Body ONLY
37	AJBC047	Valve Bonnet & Packing Gland
38	AJLT026	Pair (H&C) 63mm Chrome Lever (Replacement Cold Valve AJVC029 also required)
39	AJBFB048	Bowl Filler Body ONLY (no valve assembly)

*NOTE: 1/2-inch BSP versions available at extra cost. Suffix model number with: BSP



WATER



GAS



ENVIRONMENT



PEST CONTROL

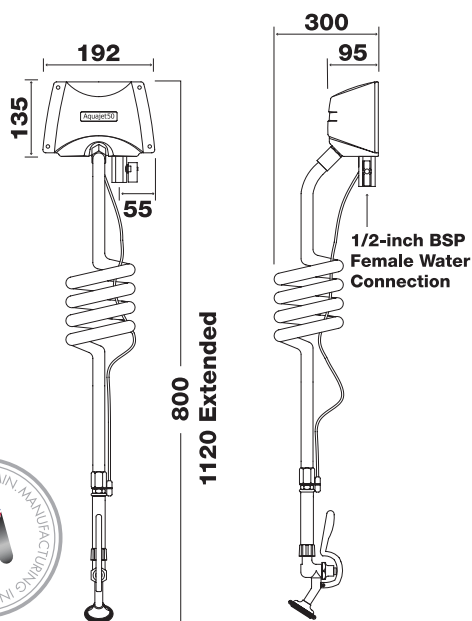
PRE-RINSE SPRAYS

AQUAJET

WALL MOUNTED - AQUAJET 50

SINGLE WATER FEED WALL-MOUNTED PRE-RINSE SPRAY with built-in water inlet valve, integral restraining wire and gun hook for storage. Recommended water pressure: 22.5 - 75psi (1.5 - 5 bar). Maximum water temperature: 131°F (55°C)

Ideal for pre-rinsing dishes or for rinsing and washing vegetables & other food (when connected to a potable water supply).



AquaJet 50

Model	Description
AJPR50-2	AquaJet 50 with STANDARD angled spray gun
AJPR50-2-W	AquaJet 50 with WATER-SAVING face plate fitted to angled spray gun - delivers up to 47% water savings.

PRE-ASSEMBLED AND PRE-TESTED

AQUAJET 50 SPARE PARTS

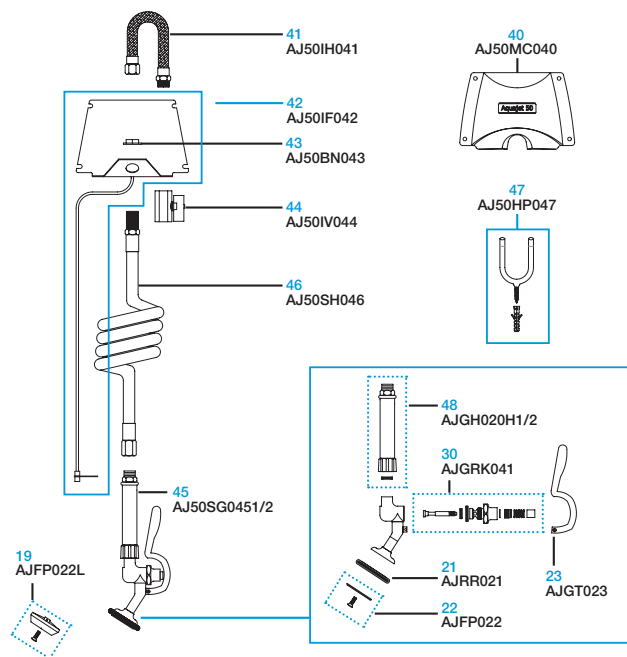
Model	Part
40	AJ50MC040 Moulded Cover
41	AJ50IH041 Inner Hose
42	AJ50IF042 Inner Fabrication with Restrainer
43	AJ50BN043 Coiled Hose Backnut
44	AJ50IV044 Ball Valve (complete)
45	AJ50SG0451/2 Angled Gun (1/2-inch BSP)
46	AJ50SH046 Coiled Hose
47	AJ50HP047 Gun Handle Hook
48	AJGH020H1/2 Spray Gun Handle & Washer (1/2-inch BSP)

Parts numbered on the diagram but not listed above can be found on page 37.

If a mixed water supply on the AquaJet 50 is preferred, consider adding a mixer valve. **We recommend the Compact Mixer M-MX91.**



See page 103 for details





WATER



GAS



ENVIRONMENT



PEST CONTROL

PRE-RINSE SPRAYS

AQUAJET

WASH DOWN HOSE REELS

- Spring loaded latch mechanisms allow complete positive hose retractions every time
- Ground edge drive springs minimise fractures found in conventional slit edge springs
- Full flow shaft and swivel ensure no water pressure drop or restriction of flow
- De-clutching arbour eliminates the possibility of spring damage due to reverse winding of the reel spool

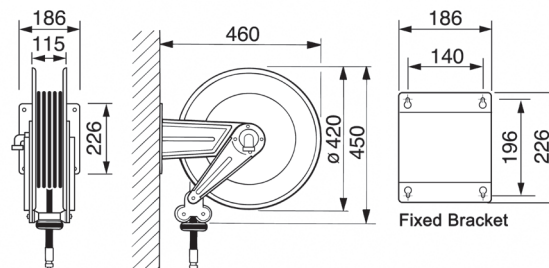
- Hose changes are made easier on open reels as the reel does not need to be pre-tensioned
- Metal reels are either steel powder coated or stainless steel (304) for maximum working life
- A variety of mounting options available

NB:
Minimum 3-bar pressure is recommended to provide reasonable washing performance

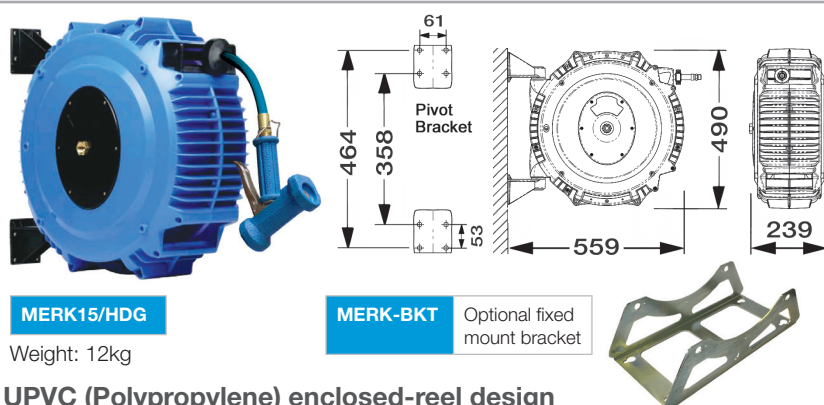
NB: Installation must comply with local water authority codes. Isolation controls and check valves not included. Hose reels are not WRAS listed.

STANDARD powder-coated steel & STAINLESS STEEL (304) open-reel design

Water temperature: up to 60°C / Water pressure: 3 - 20 bar (300psi)
Hose length: 15m (50ft) / Hose inside dia.: 12mm (1/2-inch)
Inlet: 1/2-inch BSP, female connection



Model	Description
STANDARD Finish	
MRK15/SSG	with Standard Rose Head Gun
MRK15/FBG	with Fan Blade Head Gun
MRK15/HDG	with Heavy-Duty Adjustable Head Gun
MRK-WMPB	Optional pivot bracket (powder-coated steel finish)
STAINLESS STEEL (304) Finish	
MSRK15/SSG	with Standard Rose Head Gun
MSRK15/FBG	with Fan Blade Head Gun
MSRK15/HDG	with Heavy-Duty Adjustable Head Gun
MSRK-WMPB	Optional pivot bracket (stainless steel finish)



UPVC (Polypropylene) enclosed-reel design

Water temp.: up to 80°C / Water pressure: 3 - 17 bar (250psi) / Hose length: 15m (50ft)
Hose inside dia.: 12mm (1/2-inch) / Inlet: 1/2-inch BSP, female connection

Model	Description
MERK15/SSG	with Standard Rose Head Gun (includes a wall mounted PIVOT bracket)
MERK15/FBG	with Fan Blade Head Gun (includes a wall mounted PIVOT bracket)
MERK15/HDG	with Heavy-Duty Adjustable Head Gun (includes a wall mounted PIVOT bracket)
MERK-BKT	Optional FIXED wall, floor, under bench or ceiling mount bracket (mild steel finish)

IMPORTANT: The required length of hose must always be drawn out from the reel prior to operation to prevent unnecessary hose wear.

HOSE REEL SPARE PARTS

Model	Part
AJSG019-1/2BSP	Replacement Rose Head Gun
AJSG019F-1/2BSP	Replacement Fan Blade Head Gun
AJ-HDG	Replacement Heavy-Duty Adjustable Head Gun
AJ-BHRS	Brass Hose Reel Swivel
AJ-HRCS	1/2-inch FxF Chromed Socket