

borg &
overström



Distinctive
by design.

u2

borg&
overström

High-performance hydration

Practical, reliable and visually striking, this innovative tap brings a high capacity refreshment solution to any commercial or Horeca environment.

Reasons to choose

- High capacity output
- Low energy consumption
- Compact under-counter unit
- Robust, solid build quality
- Simple to operate and maintain
- Simple-fit ventilation base included with S2

borgandoverstrom.com



Distinctive
by design.

u2

Water system



Direct Chill



Undercounter

Water options



Chilled



Ambient



Sparkling

Configuration



Distinctive
by design.

Catering for capacity

The U2 boasts a compact yet high capacity under-counter appliance. It delivers a speedy throughput of 80 litres per hour at a consistent chilled temperature, making it the perfect solution for busy environments including Horeca applications.

Borg & Overström Totality®



Driven by a relentless pursuit of excellence, Borg & Overström Totality® is a research and development methodology for the advancement of hygiene, innovation and technology in refreshment systems.



Ultra-violet sterilising system
For added hygiene confidence, appliances can be fitted with Viovand™ – an ultra-violet sterilisation process that reduces water-borne bacteria.



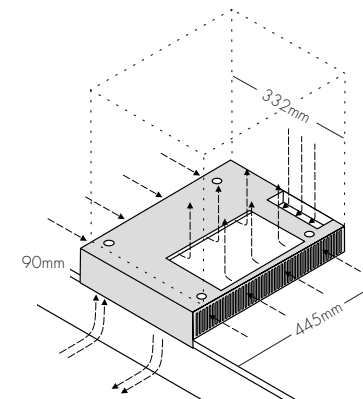
**Laboratory certified
99.999% bacteria-reduced**
Every Borg & Overström appliance undergoes an anti-microbial, antipathogen, sanitising procedure. The reassurance of hygienically safe appliances is provided by the unique bacteria-reducing process, Sterizen™.



World-class filtration
For the ultimate drinking experience, Borg & Overström appliances can be pre-fitted with a 3M filter to reduce sediment, chlorine, odours and scale.

Distinctive
by design.

U2 models	Undercounter - S2 W330xD370xH362mm	Water system	Dispense height	Max power consumption	Stainless Steel	Tap style
Power requirements Hertz 50/Volts 230	Chilled & Ambient	Dry Chill®	286mm	570W	601511	Twin Head W150xD240xH470mm
Chilled temperature Min 2°C/Max 10°C	Chilled & Sparkling	Dry Chill®	286mm	570W	601512	Twin Head W150xD240xH470mm
Throughput litres per hour S2 Chilled & Sparkling 80	Chilled, Ambient & Sparkling	Dry Chill®	286mm	570W	601513	Triple Head W215xD240xH470mm



Simple-fit Ventilation Base

A refined and simple-to-install ventilation kit is included with the S2 system.

Distinctive
by design.

Additions for U2



Biodegradable paper cups
Environmentally-friendly disposable cups designed to fit Borg & Overström cup dispensers perfectly.



Personal drinking bottles
500ml capacity in black or grey frosted soft-touch finish. Comes with quick-release leak-proof cap and carry strap.



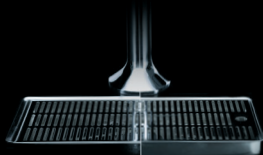
750ml glass bottles
Suitable for dishwashers and bottlewashers. Perfect fit for the U2 tap. Stylish swing-top lid.



Deep Sparkle® CO² refills
Can be disposed via standard steel recycling or general waste. Requires CO² regulator with gauge.



Sanitisation kit
Six monthly sanitising cycles ensure appliances function at the optimum hygiene levels.



Optional drip trays
There is a range of integrated or freestanding stainless steel drip trays.



Waste kit overflow sensor
Featuring an audible high-water level alarm to prevent the waste tank from overflowing.



Install kit with 3M filter
Install appliances simply and effectively in a wide range of applications. Complete with a 3M filter.



Ultra-violet filter kit
Complete Viovand™ filter kit to assist in water purification and removal of unwanted micro-organisms.



Mains waste kit
Mains waste kit connects the drip tray to the waste.

Distinctive
by design.

borg&
overström

Book a visit to the Borg & Overström Academy
for a personal demonstration of the U2

Talk to an adviser
+44 (0) 1362 695 006
sales@borgandoverstrom.com