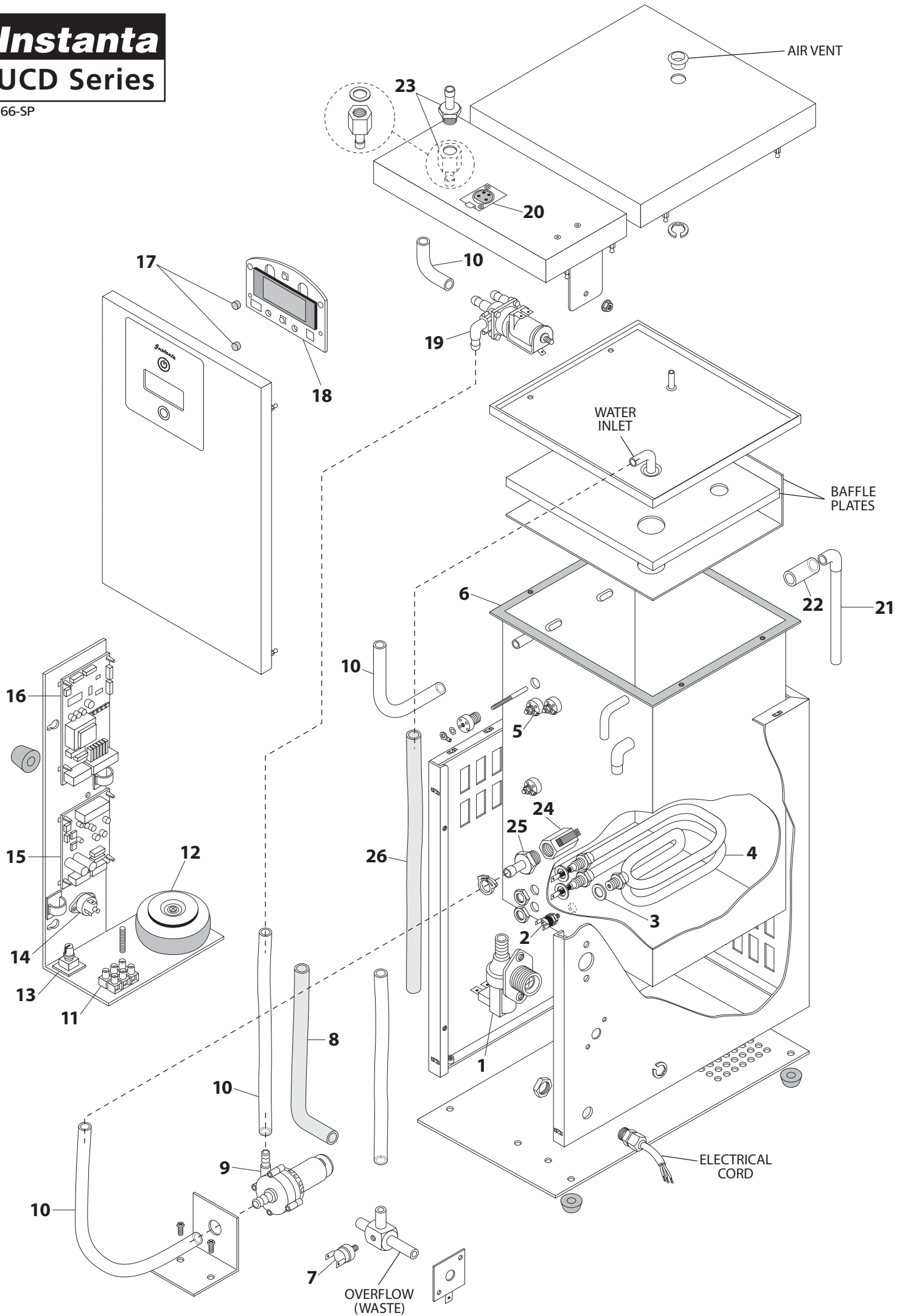


Instanta

UCD Series

D.66-SP



Exploded Drawing Key For UCD7 & UCD12 (D.66-SP)

Drawing No.	Description	Part No.	Price (£)
1	Cold Water Solenoid Valve	SOL9	25.48
2	Thermal Cut-out (115°C)	XETR5	8.70
3	Element Washer	XEN100/W	1.31
4	Element	XEN200	69.08
5	Probe Assembly	PRB1/A	16.25
6	Tank Gasket	XENDB3 (UCD7) XENDB12 (UCD12)	25.48 28.60
7	Thermal Cut-out (90°C)	XETR7	8.70
8	Grey Silicone Overflow Pipe	ACC309/S	8.70
9	Hot Water Pump	D307	163.01
10	Clear Silicone Hot Water Pipe	SR2	14.03
11	Terminal Block	E1254	3.52
12	Transformer	XE879	65.08
13	Potentiometer	XE857	12.19
14	Triac	XE851	15.08
15	Pump Power PCB	XE877/2	160.24
16	Main PCB	XE865	303.62
17	Plastic Button Extensions	CAP9	2.69
18	Display PCB	XE871/KLH	81.26
19	Hot Water Solenoid Valve	D306	83.00
20	XLR Socket (to font)	XE863	12.32
21	Overflow Dip Pipe	XOV13/P (UCD7) XOV9/T (UCD12)	9.57 15.49
22	Silicone Rubber Pipe Sleeve	CM28	1.45
23	Brass Hot Water Outlet	UCHTF1 & UCHTM1	4.95 4.95
24	Ball Valve	UCD1020	23.31
25	Brass Ball Valve Adaptor	XTP1025	6.58
26	Grey Silicone Inlet Pipe	ACC309/S	8.70
--	Baffle Plates	Ring Spares	