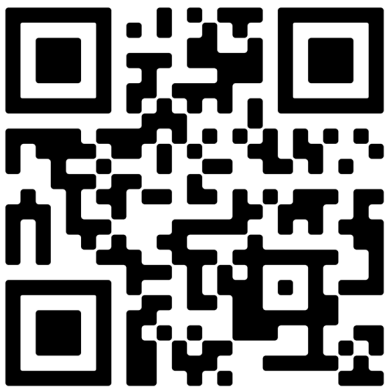




**IMPORTANT! DO NOT REMOVE elastic bands on rail panels until after bottom post connector frame is installed.**



**SCAN HERE to watch short assembly video.**

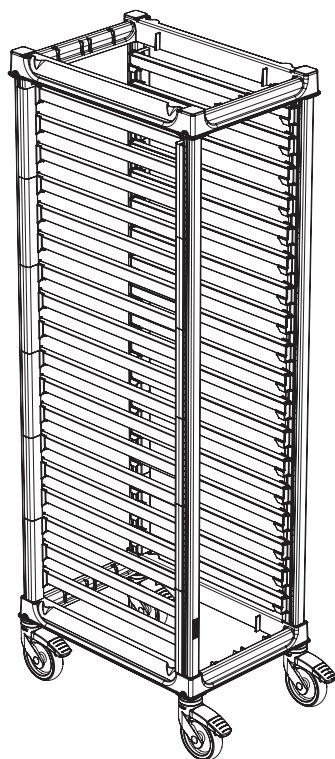


**IMPORTANT! DO NOT REMOVE**  
elastic bands on rail panels until after  
bottom post connector frame is installed.

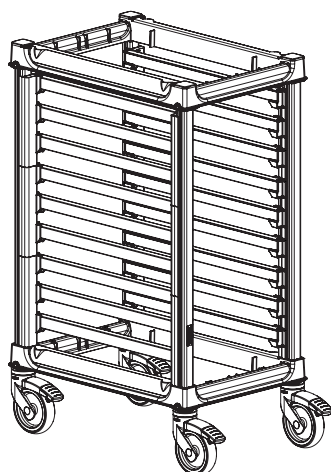


SCAN HERE  
to watch short assembly video.

Full Size



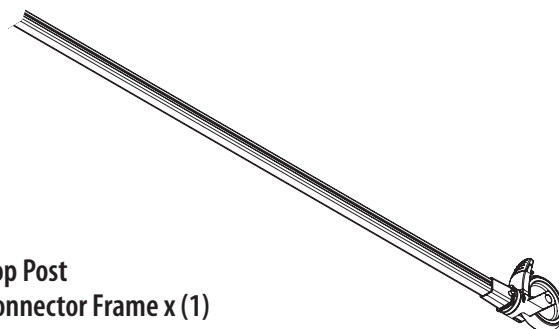
Half Size



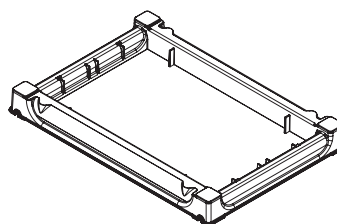
# Camshelving® GN Food Pan Trolley

## Parts and Tools

Post x (4)  
Factory installed  
Bottom Wedges and Casters



Top Post  
Connector Frame x (1)



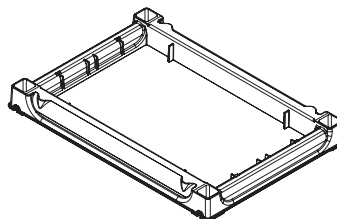
Wedges x (8)



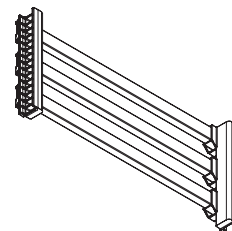
A x (4)

B x (4)

Bottom Post  
Connector Frame x (1)



Full Size – Rail Panels x (12)  
Half Size – Rail Panels x (6)



2 Person  
Assembly



Use Rubber Mallet  
for Assembly

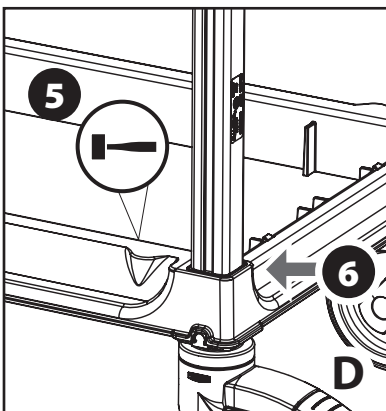
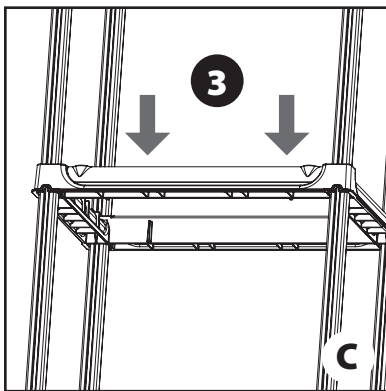
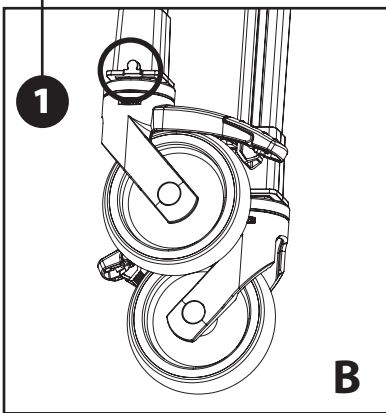
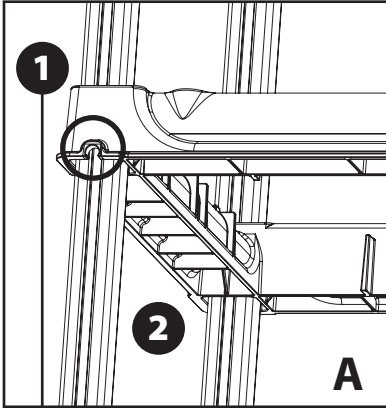


COMPONENT

# CAMBRO®

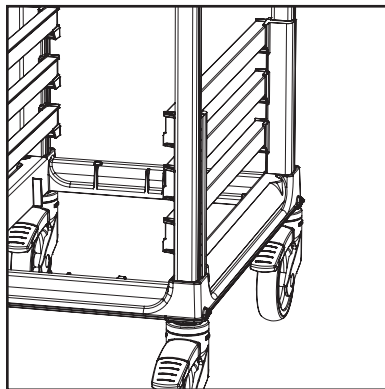
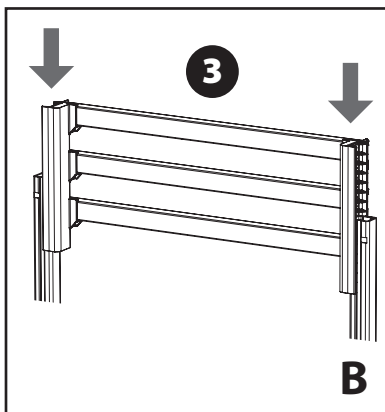
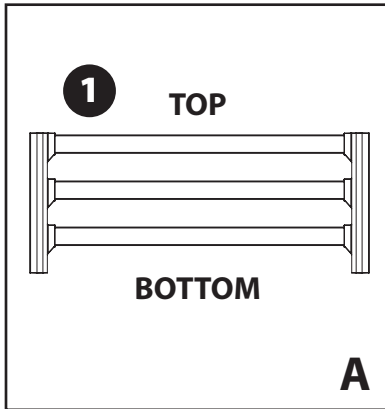
www.cambro.com

## Step 1: Install Bottom Post Connector Frame

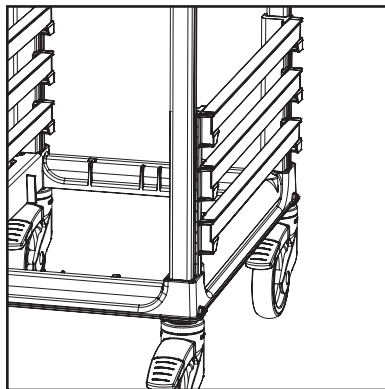


- 1 Match lock tab on post wedge (B close up) to lock opening (A close up) on frame.
- 2 Slide each post up through bottom post connector opening.
- 3 Move frame down evenly onto wedges (C close up).
- 4 Stand trolley upright on casters.
- 5 Mallet frame down on 4 corners (D close up).
- 6 Top of frame should be flush to top of wedges (D close up).

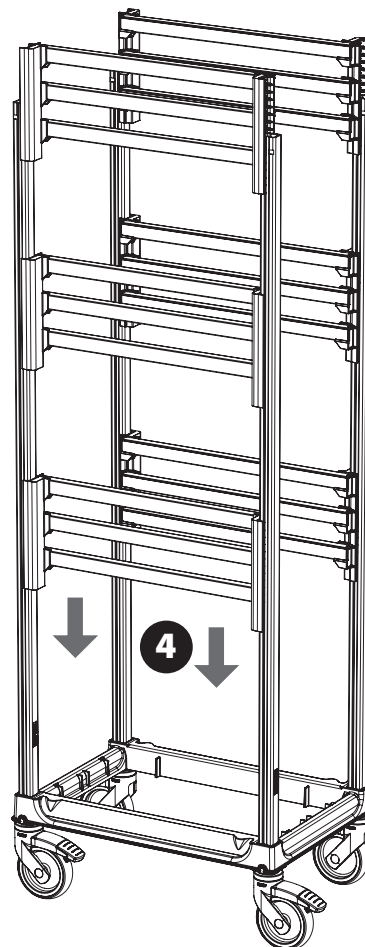
## Step 2: Install Side Rail Panels



**CORRECT INSTALLATION**

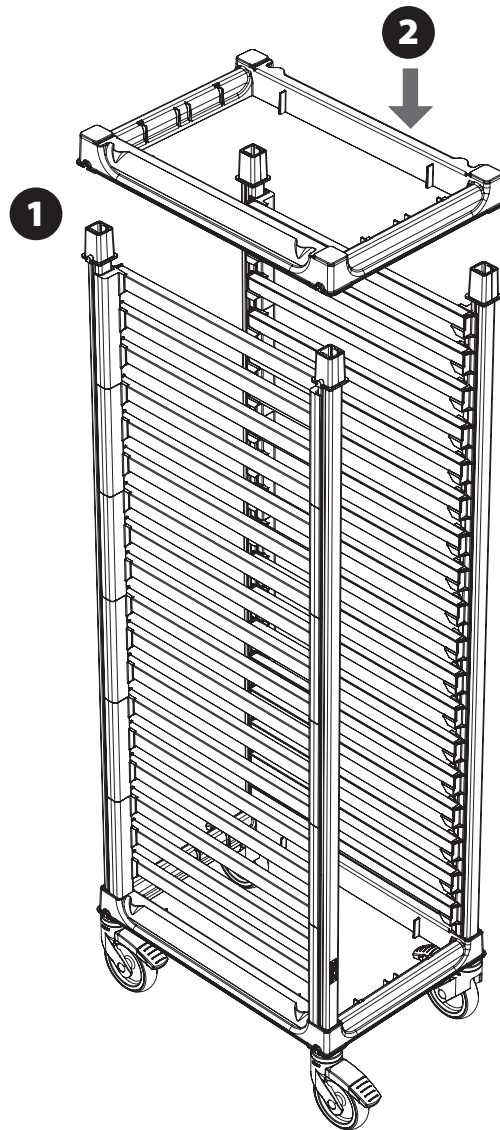
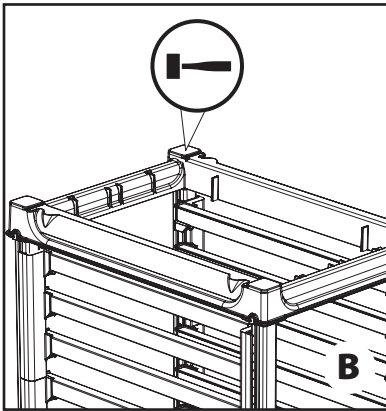
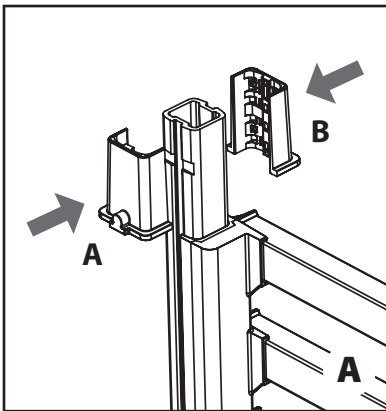


**INCORRECT INSTALLATION**



- 1** Identify top and bottom of rail panel (A close up).
- 2** Hold each side/end and carefully remove elastic band.
- 3** Hold panel with rails facing into the inside of the trolley (B close up). Slide down into grooves on posts.
- 4** Slide down slowly, 2 or 3 per side to hold frame together, alternating until complete.

## Step 3: Install Top Post Connector Frame



- 1** Install wedges as shown (A close up).
- 2** Place Top Post Connector Frame down onto wedges.
- 3** Mallet frame down onto each corner (B close up).
- 4** Frame lock opening should be fully engaged on wedge lock tab.

## Care and Maintenance

- Clean rack and cover with hot water, mild detergent and soft cloth or sponge. Racks may also be pressure washed. Use cleaners and degreasers designated for plastic materials.
- DO NOT use cleaners or detergents containing ammonia or bleach.
- DO NOT use steel wool, abrasive scrub pads or brushes.
- Wipe off any remaining soap and dirt with a clean cloth. Allow to air dry or use a clean cloth to wipe dry.

## Warranty

- GN Food Pan Trolley has a warranty against manufacturing defects for one year from date of shipment and a lifetime limited warranty against rust and corrosion.
- The warranty is in effect provided that the product has not been altered in any way and assuming normal and proper use and maintenance. Abuse or misuse will void the warranty.

## Caution!

- Do not use with or place near an open flame or against hot surfaces above 177°C (350°F).
- Not intended for use in blast chiller.

## Customer Service

CAMBRO U.S.A.  
TEL: 1(714) 848-1555  
FAX: 1(714) 230-4375  
international@cambro.com

CAMBRO EUROPEAN LOGISTICS  
TEL: (49) 7022 90 100 0  
FAX: (49) 7022 90 100 19  
cambroeurope@cambro.com

惠州诚信磁电科技有限公司  
广东省惠州市惠澳大道惠南高科技产业园鹿颈路2号  
电话: +86-0752-2885018  
传真: +86-0752-28850380  
cambrochina@cambro.com