

## Seal Upright Heated Merchandisers

### Key Features

- Type: Heated counter-top unit
- Thermostatic temperature control
- Cabinet temperature up to 95°C
- Internal lighting
- Water and crumb tray
- Rectangular wire rack with three shelves (static models)
- Circular wire shelves (rotating models)
- Height adjustable feet



UM50

### Construction

- Body: stainless steel grade 430
- Glass: toughened safety glass
- Plinth: black plastic coated steel
- Shelves: chrome plated

### Available Options

- Choice of single or two-door models
- Choice of static or rotating racks
- 60Hz supply (price on request)

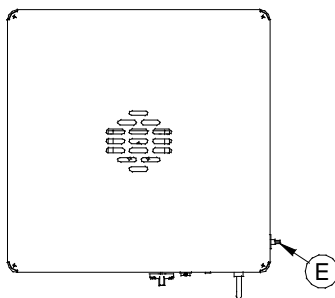
### Available Accessories

N/A

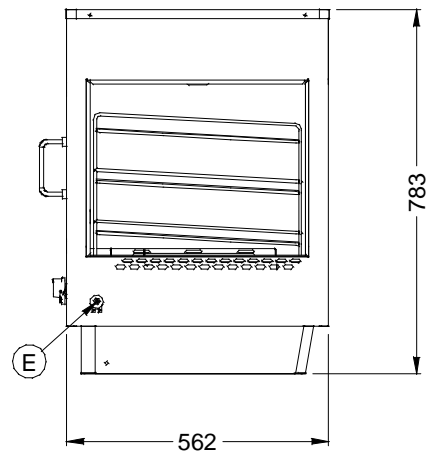
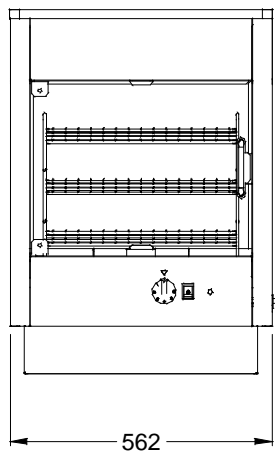
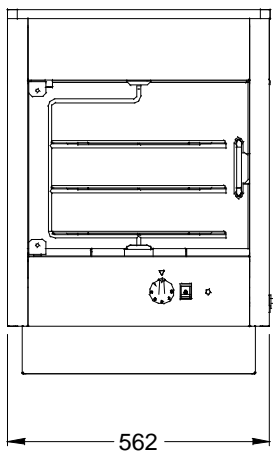
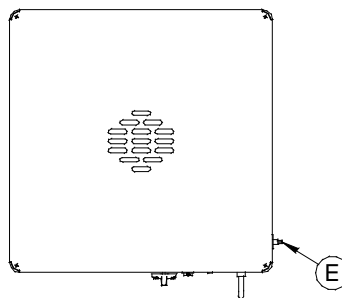
## Specifications

Model	UM50	UM50D	UMS50	UMS50D
External height (mm)	780	780	780	780
External width (mm)	565	565	565	565
External depth (mm)	565	565	565	565
Shelf type	Rotating	Rotating	Static	Static
Rectangular static shelves - w x d (mm)	-	-	410 x 446	410 x 446
Circular rotating shelves - diameter (mm)	370	370	-	-
Number of doors	1	2	1	2
Net weight unpacked (kg)	37	37	37	37
Gross weight packed (kg)	41	41	41	41
Shipping volume (m <sup>3</sup> )	0.507	0.507	0.507	0.507
Display rating (kW)	1.4	1.4	1.4	1.4
Total electrical power rating (kW)	1.5	1.5	1.5	1.5
Electrical supply 1N~+E 230V 50-60Hz Current Rating (A)	7	7	7	7

UM50  
UM50D



UMS50  
UMS50D



Lincat Limited, Whisby Road,  
Lincoln LN6 3QZ,  
United Kingdom

UK Sales Tel: 01522 875500 UK Spares Tel: 01522 875510 UK General Tel: 01522 875555  
UK Fax: 01522 875530 International Sales Tel: +44 1522 503250 International Fax: +44 1522 875530  
Website: www.lincat.co.uk UK Sales e-mail: sales@lincat.co.uk International Sales e-mail: export@lincat.co.uk



Document ref:  
SEAL-UM  
Issue date: Dec-09