

UTENSIL WASHERS
UPT SERIES

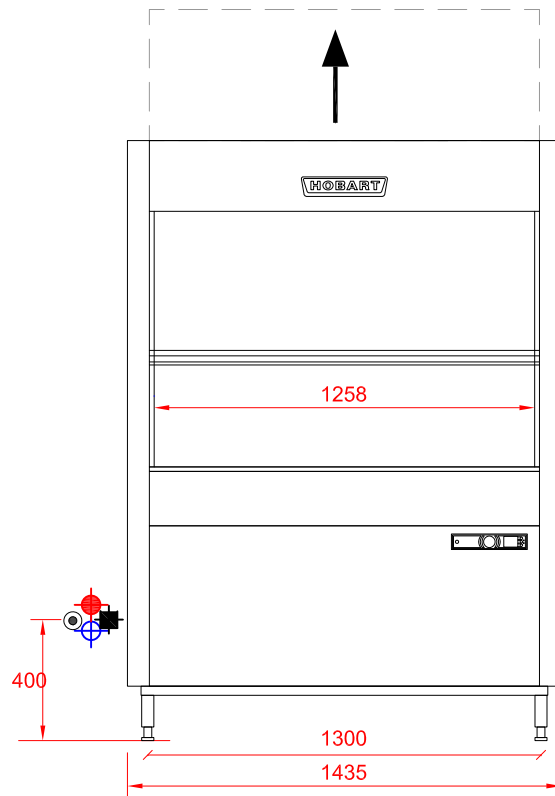
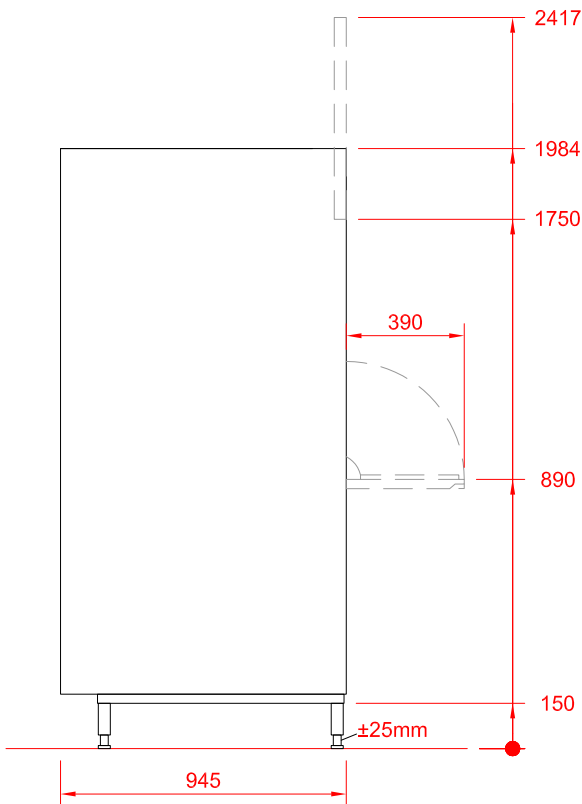
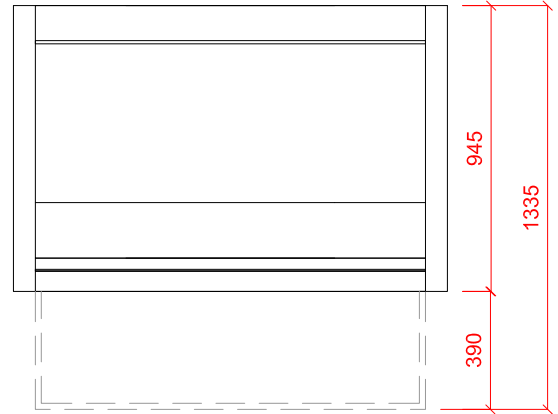


HOBART UK,
SOUTHGATE WAY,
ORTON SOUTHGATE,
PETERBOROUGH.
PE2 6GN
0844 888 7777

www.hobartuk.com

Twin Front Loading Utensil Washer

UPT-10A



1 Water

2 x 22mm CONNECTIONS EACH VIA 1.5 METRE FLEXIBLE HOSE, FEMALE TERMINATION.
1 x WATER SUPPLY UP TO 65°C @ 0.5 TO 10 BAR MAX. INITIAL TANK FILL 130 LITRES.

1 x WATER SUPPLY UP TO 15°C RINSE WATER USAGE 14.0 LITRES PER CYCLE MAX USAGE 420 LITRES PER HOUR.

OUR MACHINES ARE SUPPLIED WITH CLASS 'AB' AIR GAP AS STANDARD. WATER SUPPLY TO HAVE INDEPENDENT ISOLATING VALVE.

2 Drain

DRAIN - 2 METRE FLEXIBLE HOSE TO A 40 mm TRAPPED STANDPIPE 800mm A.F.F.L.

FLOW RATE 30 LITRES PER MINUTE.

Other Services

RINSE AGENT HOSE - 2.5 METRE FLEXIBLE.
2 x DETERGENT HOSES - 2.5 METRE FLEXIBLE.

3 Electric

24.5 kW 400/50/3 + N + E
FUSED AT 50amps

MACHINE SUPPLIED WITH 1.8 METRES OF CABLE.

Notes

APPROX WEIGHTS: EMPTY: 305kg's

HEIGHTS MARKED * REPRESENT ±25mm

PLOT SCALE: 1:25