



## DRINK MACHINE ADVANCE®

### The Ultimate Blender for Every Beverage Programme

From fruit smoothies to thick shakes, the Drink Machine Advance is an essential tool for adding or expanding a blended beverage programme.

#### Smart Product Design

- 6 optimised programmes and automatic shut-off means you can turn it on, walk away, and achieve consistent results
- Pulse control quickly refreshes drinks for efficiency
- Advance® container creates faster, smoother pouring and has a longer blade life resulting in time and cost savings along with improved customer experience
- Advanced motor is designed to resist overheating when blending extra-thick ingredients resulting in cooler operation and enhanced reliability during peak hours of operation



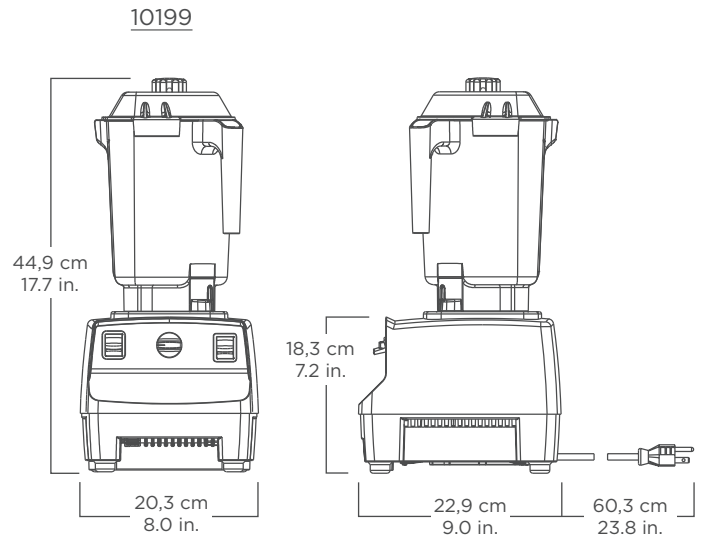
Perfectly blended smoothies

## Product Specifications

### Drink Machine Advance®

Item Number: 10199  
 Motor: ≈2 peak output horsepower motor  
 Electrical: 220 - 240 V, 50/60 Hz, 1000 - 1200 W  
 Pack: Includes Drink Machine Advance with 0,9 L high-impact, clear/stackable Advance® container, complete with Advance blade assembly and lid, and silver base.  
 Net Weight: 5,5 kg (6,8 kg with box)  
 Dimensions: 44,9 x 20,3 x 22,9 cm (H x W x D)

Warranty: Please contact your authorized Vitamix distributor for warranty information.



## Also Available

Additional containers, complete with blade assembly and lid.

Item Number: 15981: Advance container 0,9 L  
 15506: standard container 1,4 L  
 15640: compact container 0,9 L

Where applicable:



## Contact Information

U.S.A., Canada & Latin America:  
 Phone: 800.4DRINK4 or 800.437.4654  
 Email: [foodservice@vitamix.com](mailto:foodservice@vitamix.com)  
[vitamix.co.uk](http://vitamix.co.uk)

Vita-Mix Corporation  
 8615 Usher Road  
 Cleveland, OH 44138-2103 U.S.A.

For UK sales or more information, contact your local UK foodservice distributor:

Jestic Foodservice Equipment  
 Phone: +44 (0) 8455.048050  
 Email: [info@jestic.net](mailto:info@jestic.net)

[www.jestic.co.uk](http://www.jestic.co.uk)