



MIX'N MACHINE[®]

Create Popular Frozen Treats

The Mix'n Machine easily mixes sweets, biscuits, or fruit with ice cream or frozen yoghurt for delicious and highly profitable mix-in treats and shakes. Engineered for outstanding durability and convenience, the Mix'n Machine is a favourite in the frozen treat market.

Smart Product Design

- Brushless induction motor for durable and consistent speed regardless of blend thickness
- Protective, removable splash guard for easy clean-up
- Variety of efficient agitator options allows you to mix both hard and soft ice cream and yoghurt



Mix-in treats

Product Specifications

Mix'n Machine® On-Counter

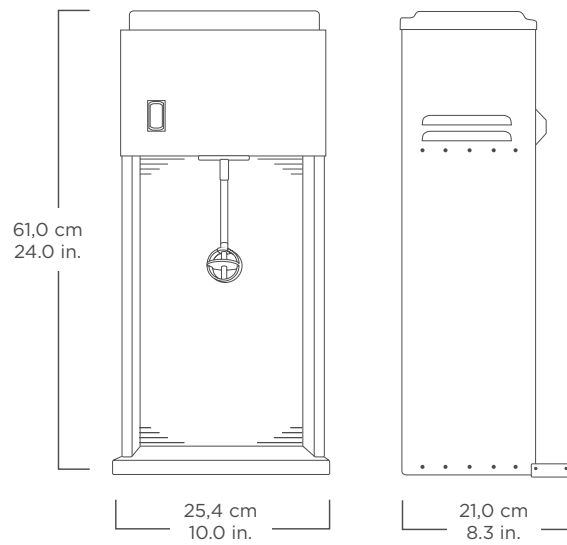
25021

Item Number: 25003
 Motor: 3440 RPM bare motor speed
 Electrical: 220 - 240 V, 50/60 Hz, 285 - 325 W
 Pack: Includes Mix'n Machine On-Counter with permanent soft ice cream agitator.

Net Weight:
 On-Counter: 11,4 kg (12,2 kg with box)

Dimensions:
 On-Counter: 61,0 x 25,4 x 21,0 cm (H x W x D)

Warranty: Please contact your authorized Vitamix distributor for warranty information.



Where applicable:



Contact Information

U.S.A., Canada & Latin America:
 Phone: 800.4DRINK4 or 800.437.4654
 Email: foodservice@vitamix.com
vitamix.co.uk

Vita-Mix Corporation
 8615 Usher Road
 Cleveland, OH 44138-2103 U.S.A.

For UK sales or more information, contact your local UK foodservice distributor:

Jestic Foodservice Equipment
 Phone: +44 (0) 8455.048050
 Email: info@jestic.net

www.jestic.co.uk