



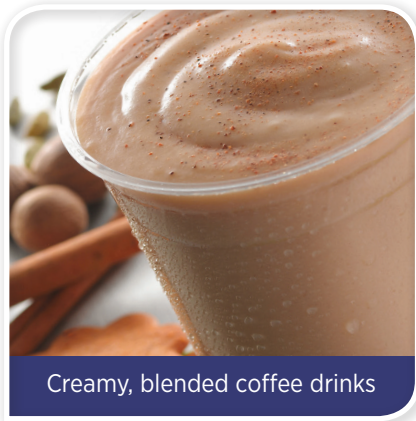
T&G® 2 BLENDING STATION®

Powerful, Noise-Reduced Blending

The T&G 2 offers reduced sound and blending time. It quickly and easily creates smoothies, frappés, ice cream drinks and frozen cocktails.

Smart Product Design

- ≈2 peak output HP motor and sound-reducing cover for superior performance in coffee, smoothie, and ice cream shops
- 34 optimised programmes engineered to provide consistent results quickly and easily
- Advance® container creates faster, smoother pouring and has a longer blade life resulting in time and cost savings along with improved customer experience



Creamy, blended coffee drinks

Product Specifications

T&G® 2 Blending Station®

Item Number: On-Counter: 42009
In-Counter: 44004

Motor: ≈2 peak output horsepower motor

Electrical: 220 - 240 V, 50/60 Hz, 1075 - 1200 W

Pack: Includes T&G 2 with 0,9 L high-impact, clear/stackable Advance® container, complete with Advance blade assembly and lid, and removable compact cover.*

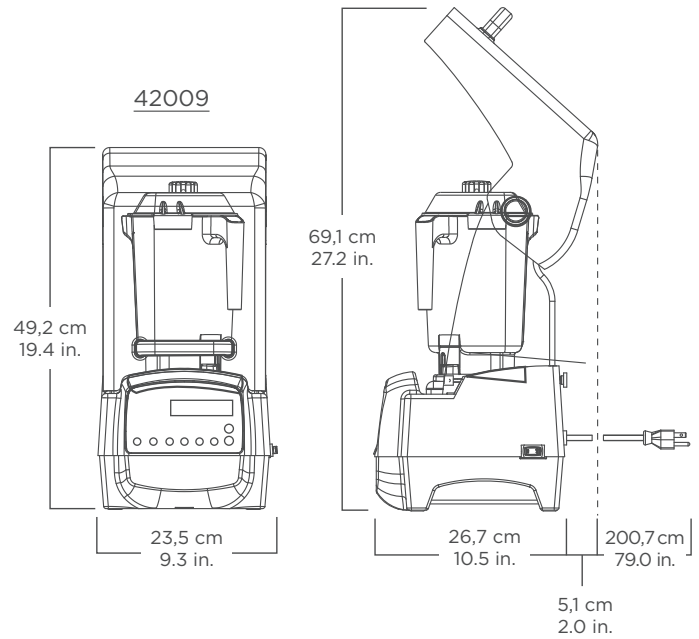
Net Weight: 8,4 kg (9,5 kg with box)

Dimensions:
On-Counter: 49,2 x 23,5 x 26,7 cm (H x W x D)
Height with lid open: 69,1 cm

In-Counter: 38,1 x 22,9 x 26,7 cm (H x W x D)
Height with lid open: 57,2 cm
Depth below counter: 14,4 cm

Warranty: Please contact your authorized Vitamix distributor for warranty information.

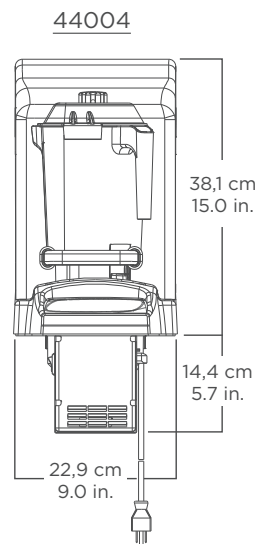
* Standard 2,0 L container cannot be used with the compact cover.



Also Available

Additional containers, complete with blade assembly and lid.

Item Number: 15981: Advance container 0,9 L
15506: standard container 1,4 L
15640: compact container 0,9 L



Where applicable:



Contact Information

U.S.A., Canada & Latin America:
Phone: 800.4DRINK4 or 800.437.4654
Email: foodservice@vitamix.com

vitamix.co.uk

Vita-Mix Corporation
8615 Usher Road
Cleveland, OH 44138-2103 U.S.A.

For UK sales or more information, contact your local UK foodservice distributor:

Jestic Foodservice Equipment
Phone: +44 (0) 8455.048050
Email: info@jestic.net

www.jestic.co.uk