



BLENDING STATION® ADVANCE®

The Right Blend of Timing and Speed

The Blending Station Advance has been engineered for perfection including a noise reducing cover for an improved customer experience.

Smart Product Design

- Powerful ≈ 3 peak output HP motor for unmatched performance on the toughest blends in coffee, smoothie, and ice cream shops
- 93 speeds, variable speed control, and automatic shut-off provide the ultimate in blending flexibility for creating an endless number of recipes to expand your menu offering
- 34 optimised programmes engineered to provide consistent results quickly and easily
- Advance® container creates faster, smoother pouring and has a longer blade life resulting in time and cost savings along with improved customer experience



Creamy, blended coffee drinks

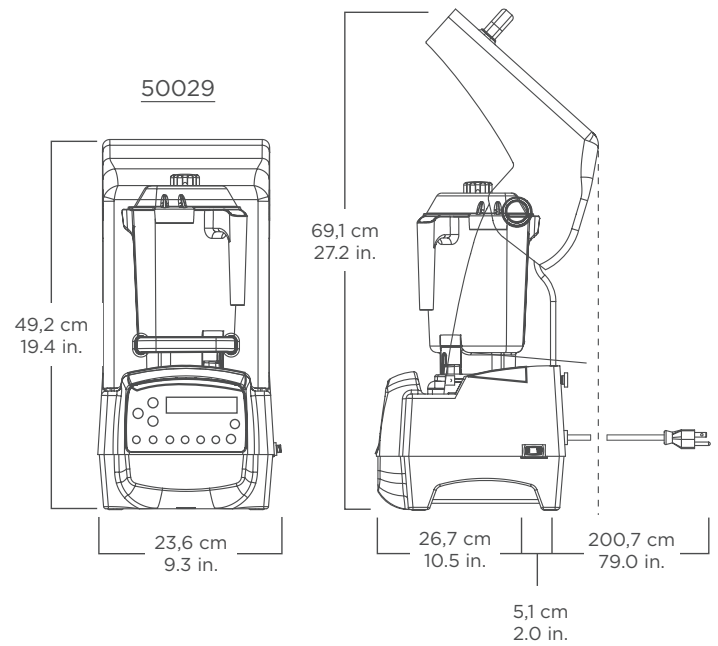
Product Specifications

Blending Station® Advance®

Item Number:	On-Counter: 50029 In-Counter: 51022
Motor:	≈3 peak output horsepower motor
Electrical:	220 - 240 V, 50/60 Hz, 1300 - 1550 W
Pack:	Includes Blending Station Advance with 1,4 L high-impact, clear/stackable Advance® container, complete with Advance blade assembly and lid, and removable compact cover.*
Net Weight:	8,4 kg (10,0 kg with box)
Dimensions:	
On-Counter:	49,2 x 23,5 x 26,7 cm (H x W x D) Height with lid open: 69,1 cm
In-Counter:	38,1 x 22,9 x 26,7 cm (H x W x D) Height with lid open: 57,2 cm Depth below counter: 14,4 cm

Warranty: Please contact your authorized Vitamix distributor for warranty information.

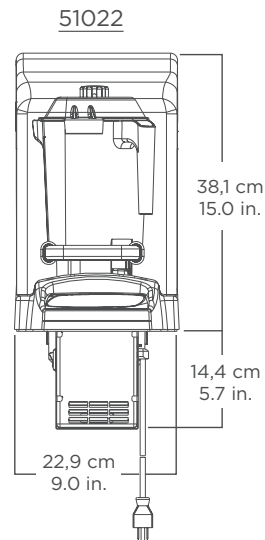
*Standard 2,0 L container cannot be used with the compact cover.



Also Available

Additional containers, complete with blade assembly and lid.

Item Number:	15978:	Advance container 1,4 L
	15506:	standard container 1,4 L
	15640:	compact container 0,9 L



Where applicable:



Contact Information

U.S.A., Canada & Latin America:

Phone: 800.4DRINK4 or
800.437.4654

Email: foodservice@vitamix.com

vitamix.co.uk

Vita-Mix Corporation
8615 Usher Road
Cleveland, OH 44138-2103 U.S.A.

For UK sales or more information, contact
your local UK foodservice distributor:

Jestic Foodservice Equipment
Phone: +44 (0) 8455.048050
Email: info@jestic.net

www.jestic.co.uk