



Authorized Distributor:
FOODSERVICE EQUIPMENT MARKETING
 10 CARRON PLACE-KELVIN IND.ESTATE G75 0YL GLASGOW()
 TEL./FAX. 0044-1355 244111 / 0044-1355 241471
 E-mail:saganm@fem.co.uk



Sirman Vacuum Packaging Machines , model W8 Easy :

- Easy vacuum and sealing time setting.
- Display of vacuum percentage and time to countdown.
- Last setting saved in memory.
- Rev counter and pump meter.
- Pump preheating and oil cleaning cycle.
- Oil and filter change message.
- Timed external vacuum.
- Not available with printer or Gas.
- Large injection bells.
- Automatic cover lift operated by pneumatic pistons.
- Easily removable sealing bar.



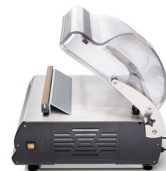
Easy access for service



Easy access for service

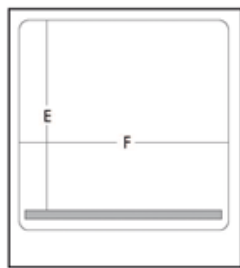


Surface for liquid bags standard



Easy cleaning

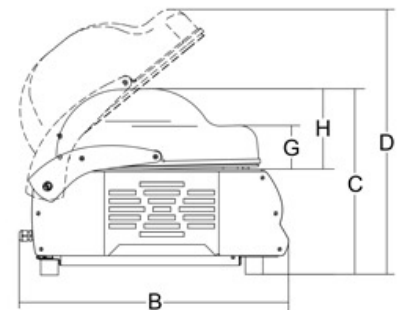
Data sheet



30-40-50



A



B

Technical data

Model	W8 30 Easy	W8 30 Easy 12	W8 40 Easy	W8 40 Easy 12	W8 50 Easy
Power	Kw 0,35	Kw 0,45	Kw 0,75	Kw 0,45	Kw 0,75
Power source	1ph	1ph	1ph	1ph	1ph
Vacuum pump	mc/h 8	mc/h 12	mc/h 21	mc/h 12	mc/h 21
Sealing bar	mm 310	mm 310	mm 410	mm 410	mm 510
Cavity dimensions	mm 340x360 h.160	mm 340x360 h.160	mm 430x410 h.170	mm 430x410 h.170	mm 530x510 h.180
A	mm 402	mm 402	mm 493	mm 493	mm 584
B	mm 525	mm 525	mm 585	mm 585	mm 676
C	mm 408	mm 408	mm 422	mm 422	mm 513
D	mm 587	mm 587	mm 630	mm 630	mm 721
E	mm 334	mm 334	mm 390	mm 390	mm 481
F	mm 340	mm 340	mm 430	mm 430	mm 521
G	mm 95	mm 95	mm 99	mm 99	mm 109
H	mm 170	mm 170	mm 180	mm 180	mm 230
Net weight	kg 38	kg 38	kg 56	kg 54	kg 70
Shipping	mm 720x570x770	mm 720x570x770	mm 760x640x770	mm 760x640x770	mm 840x710x770
Gross weight	kg 48	kg 48	kg 66	kg 64	kg 86
HS-CODE	84224000	84224000	84224000	84224000	84224000