



**BUDGET GLASS DOOR REFRIGERATOR AND WINE COOLER**  
**MANUAL OF INSTRUCTIONS FOR USE AND INSTALLATION**

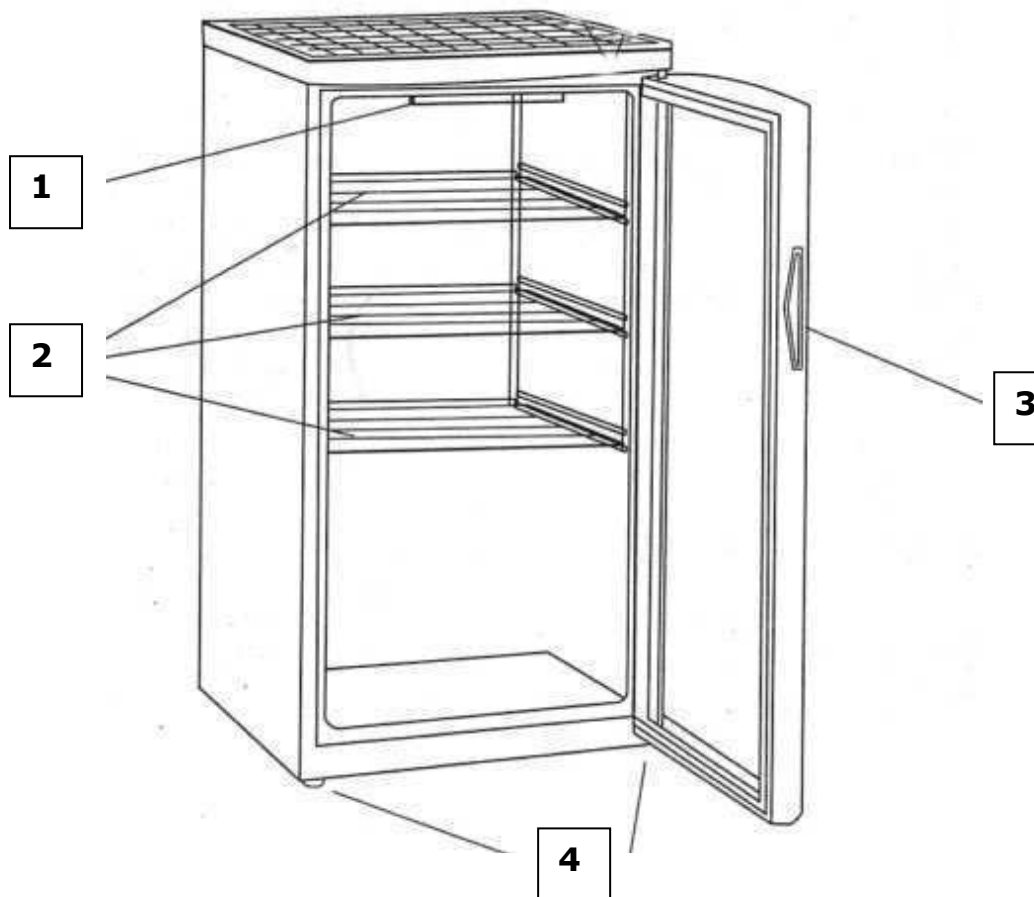


## **SAFETY PRECAUTIONS**

**Read all of the instructions before using this appliance. When in use always exercise basic safety precautions including the following:**

- Use of the is appliance is intended only for it's intended purpose as described in the manual
- The cooler must be properly installed in accordance with the installation instructions before it is used. See grounding instructions in the installation section
- Never unplug your cooler by pulling on the power cord. Always grasp the plug firmly and pull straight from the socket
- Repair or replace immediately, all electrical service cords that have become frayed or otherwise damaged. Do not use a cord that shows cracks or abrasion damage along it's length, the plug or connector end
- Unplug your cooler before cleaning or carrying out any repairs
- If your old cooler is not being used, we recommend you remove the doors, this reduce the possibility of danger to children
- The cooler should not be recessed or built into a cabinet, it is designed for free standing installation only
- Do not operate your cooler in the presence of explosive fumes

## Parts & Features



1. Interior light
2. Flat wire shelves (WINE105 has scalloped wine shelves)
3. Door handle
4. Adjustable feet (Not shown)

# Installing Your Cooler

## Unpacking Your Cooler

1. Remove all packaging material. This includes the foam base and all adhesive tape.
2. Inspect and remove any remains of packing, tape or printed materials before powering on the cooler.

## Levelling Your Cooler

- You cooler has four feet for levelling, these are located underneath at the four corners of the cooler. After properly siting your cooler, you can begin levelling it.
- Levelling feet can be adjusted by turning them clockwise to raise your cooler or anti-clockwise to lower. The cooler door will close easier when the feet are extended.

## Proper Air Circulation

- To ensure your cooler works at the maximum efficiency it was designed for, you should site it in a location where there is proper air circulation, plumbing and electrical connections.
- It is recommended that you leave approx 50mm clearance on all sides of the cabinet
- Do not overfill your cooler for proper internal air circulation

## Electrical Requirement

- Ensure there is a suitable power outlet (220 – 230~volts, 15amps outlet)
- Only use an earthed plug

## Instalment Limitations

- Do not install your cooler in any location not properly insulated or heated e.g. garages etc. This cooler is not designed to operate in temperatures lower than 13°C
- Select a suitable location for the cooler on a hard, even surface away from direct heat sources such as radiators, cookers etc. Any unevenness on the floor should be corrected with the levelling feet
- Your cooler is designed for free standing installation only. It is not designed for built-in application.

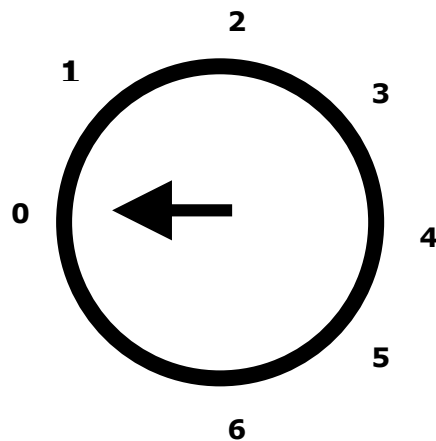
## Cooler Features and Use

### Initial Setup

Once you have plugged the unit into an electrical outlet, let the unit run for at least 30 minutes to acclimatise before making any adjustments.

### Temperature Adjustments

- The cooler is preset from the factory to automatically accommodate temperature requirement for wines by setting the thermostat to position 4
- The cooler can be set to the temperature you desire to accommodate your drink storage requirements. To set the temperature, turn thermostat knob clockwise to get warmer, and anti-clockwise to get colder



There will be a three degree deviation +/- from the temperature you select and the temperature indicated on the LED readout. This occurs because the cooler activates and deactivates trying to maintain your desired temperature. There is often a ten degree deviation between the top and bottom shelves of the cooler, therefore, if you have set the cooler at 10°c and have a mix of red and white wines, you may want to put the white wine on the bottom shelf where the temperature will be 7°c and red wine on the top shelf which will be 13°c.

### **Shelving**

- The shelves are painted for appearance and easy cleaning. To accommodate different sized bottles the shelves slide out and can be moved up or down into any of the tracks moulded into the cabinet. This allows free air movement and provides more space.

### **Interior light**

- To complement the look of your stock, a soft light has been built into the bottle cooler. Simply turn the switch button and the light comes on, turn it back and the light goes off. For maximum energy efficiency, leave the light off when not displaying your stock.

### **Normal Operating Sounds You May Hear**

- Boiling water, gurgling sounds or slight vibration is due to the refrigerant circulating through the cooling coils
- The Thermostat control will click when it cycles on and off.

## Proper Cooler Care and Cleaning

### **Cleaning and Maintenance**

**WARNING:** To avoid electric shock, always unplug your cooler before cleaning. Ignoring this warning may result in death or injury

**CAUTION:** Before using cleaning agents, always read and follow manufacturers instructions and warnings to avoid personal injury or product damage

### **General**

- Prepare a cleaning solution of 3-4 tablespoons of baking soda mixed with warm water. Use sponge or soft cloth, dampened with cleaning solution to wipe down your cooler
- Rinse with clean warm water and dry with a soft cloth
- Do not use harsh chemicals, abrasives, ammonia, chlorine bleach, concentrated detergents, solvents or metal scouring pads. SOME of these chemicals may damage and/or discolour your cooler.

### **Door Gaskets**

- Clean Door gaskets every three months according to general instructions. Gaskets must be kept clean and pliable to ensure a proper seal.
- Petroleum jelly applied lightly on the hinge side of gaskets will keep the gasket pliable and assure a good seal.

### **Power Interruptions**

- Occasionally there may be power interruptions due to thunderstorms or other causes. Remove the power cord from the socket when a power cut occurs. Once power has been restored, you may plug it in again.

### **Holidays and Moving Care**

- For extended periods of time where the cooler is not in use, unplug and clean the cooler following the 'General Cleaning' instructions. Leave the door open so air can circulate inside. When moving, always move the cooler vertically. Do not move the unit lying down, possible damage to the sealed system may occur.

## Troubleshooting

### **Cooler Does Not Operate**

- Check the cooler is plugged in
- Check there is power going to the socket it is plugged in

### **Cooler Appears Too Warm**

- Frequent door opening
- Allow time for recently added stock to reach desired temperature
- Check gaskets for proper seal
- Clean condenser coils
- Adjust temperature control to colder setting

### **Cooler Temperature Is Too Cold**

- If temperature control setting is too cold, adjust to a warmer setting

### **Cooler Runs Too Frequently**

- This may be normal to maintain constant temperature on warmer and more humid days
- Doors may have been opened frequently or for an extended period of time
- Clean condenser coils
- Check gasket for proper seal
- Check to see if doors are completely closed

### **Moisture Build-Up on Inside and Outside of Cooler**

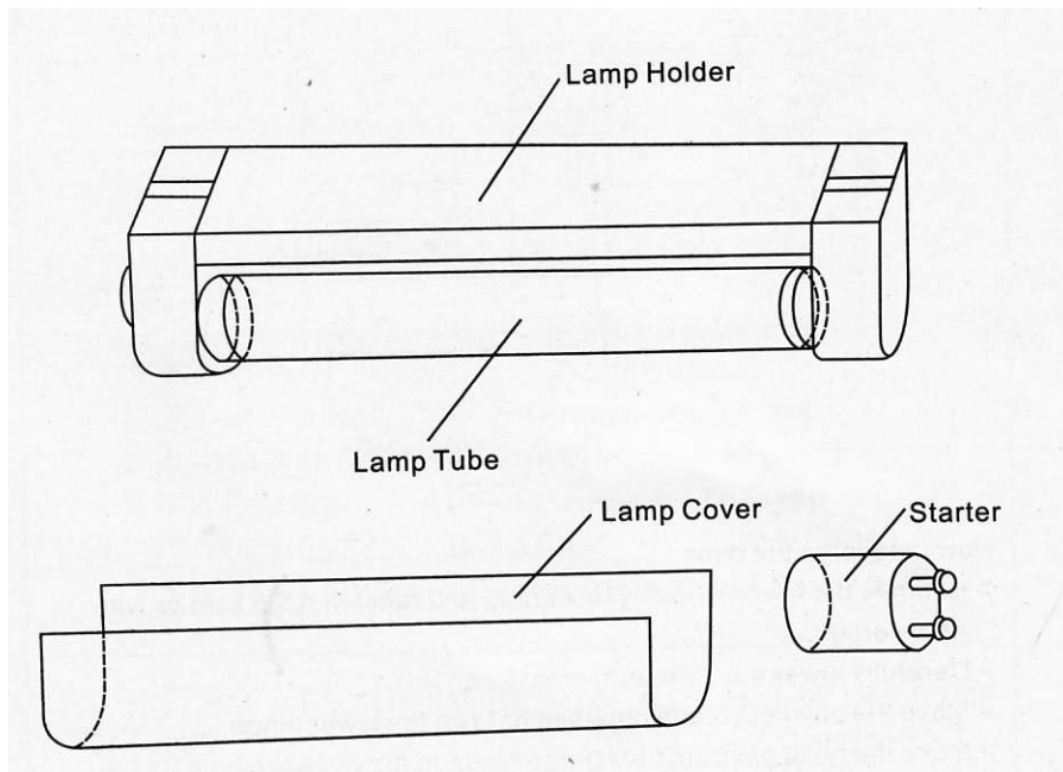
- This is normal during high humidity periods
- Prolonged or frequent door openings
- Check door gaskets for proper seal

### **Cooler Door Does Not Shut Properly**

- Level the bottle cooler
- Check for blockages e.g. shelves

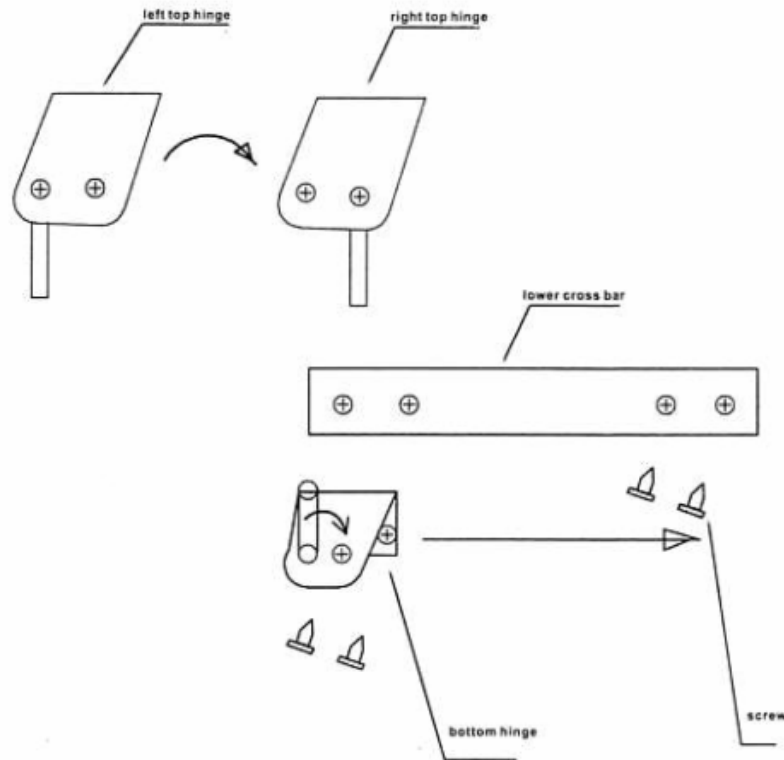


## Changing The Lamp Tube & Starter



- 1.** Take off the lamp cover lightly
- 2.** Take off the lamp tube
- 3.** Put a new lamp tube in the holder
- 4.** Take back the lamp cover, place it in it's original position
- 5.** Turn and take off the damaged starter, replace it with a new one

## Reversing The Door



### How to Reverse The Door

- Remove the lower hinge by loosening and removing the screws with a screw driver
- Carefully lower the door and remove it
- Move the pivot pin to the opposite hole on the lower hinge
- Move the pivot pin from the top left hinge to the opposite hole on the top right hinge
- Remove the two screws from the right holes in the bottom cross bar
- Take the door, insert the lower hinge axle into the bottom right hole of the door, take the top right hole in the door into the right hand hinge axle
- Adjust the door, make it straight and aligned with the cabinet
- Fix the lower hinge with 2 screws
- Cover the left holes in the bottom cross bar with 2 screws

**Notes:** As the door gasket gets pressed in during shipping, after reversing the door, the gasket may have to be reset. This will be good for the seal to avoid any air escaping. If there is a gap between the door gasket and the cabinet, set the gasket by gently pulling it out to seal the gap. It is recommended to use a warm hair drier to warm the gasket and get rid of the gap.