



GLASSWASHER UX-40SB 230/50/1

Rack size 400x400mm and door clearance 300 mm. Double-skinned construction.

P/N 1303136



WARE WASHING
COMMERCIAL GLASSWASHERS

removed without having to disconnect the washing arms.

“Easy grip” door: new design with integrated door handle

- ✓ The integration of the components provides greater resistance and robustness.
- ✓ Designed to have no corners or areas that are difficult to access: prevents deposits of dirt and facilitates cleaning.
- ✓ Its ergonomic handle provides a perfect grip, even with wet hands.
- ✓ Double-walled door with safety microswitch and high quality seal
- ✓ 30 cm load capacity: high versatility for washing a wide range of glasses and even medium-sized dishes.

Premium warewashing

- ✓ Ultra Xperience: high performance, without complications.
- ✓ Soft start: progressive start-up of the washing pump to protect fragile items.
- ✓ Colour LCD Display: intuitive communication of the machine status by means of messages, colour codes and icons.
- ✓ Dedicated cycles: selection of the ideal washing programme using icons.
- ✓ Adaptable: allows the main parameters of the machine to be adjusted to the needs of each user.
- ✓ TEMPERATURE DISPLAY
- ✓ Wash Plus+ function: increases the intensity of the wash cycle for greater cleaning performance
- ✓ Control panel with IP65 humidity protection.

You will never WASH ALONE

- ✓ Tech-Services: our team of technicians will help you so that your machine is always ready for use.
- ✓ Design Services: tell us what your needs are and we will advise you.
- ✓ 60 years of experience and know-how at your disposal.

INCLUDES

- ✓ Detergent Dispenser.
- ✓ Rinse aid pump.
- ✓ Drainage pump with level sensor. Proactive tank water renewal.
- ✓ 1 glasses basket.
- ✓ 1 mixed basket (plates).
- ✓ 1 small basket for cutlery.

OPTIONAL

- Double-level accessory for washing two baskets at the same time.

ACCESSORIES

- Manual water softeners
- Automatic water softeners
- 400X400 mm. baskets
- Inserts & supplements
- High Feet Kit
- Reverse Osmosis device OS-140P
- Stand for 400x400 mm glasswashers
- Double rack kit for AX/UX-40

SPECIFICATIONS

Basket dimensions: 400 mm x 400 mm
Maximum glass height: 300 mm

Cycle duration: 90 / 120 / 150 / 180 “
Production baskets/hour: 40 / 30 / 24 / 20

Boiler capacity: 4.5 l
Wash tank capacity: 9 l

Consumption and savings

Water consumption/cycle: 1.9 l
Automatic saving mode in: 25 ‘
Automatic switch-off: 120 ‘

SALES DESCRIPTION

Sani-Control: guaranteed disinfection
 Embedded bodywork and easy-grip door: hygienic and ergonomic
 Double-walled body: insulation and energy efficiency
 Exclusive Hydroblade™ washing arms: maximum effectiveness.
 3-stage filtering system.

Sani-Control guarantee

- ✓ GUARANTEED DISINFECTION in compliance with standard DIN 10534.
- ✓ THERMAL LOCK function: Ensures that rinsing will be carried out at the ideal temperature to disinfect the dishes.

New recessed bodywork

- ✓ Ergonomic design with rounded corners to prevent the accumulation of dirt and facilitate cleaning.
- ✓ Compact tank volume (50% water saving compared to the previous range).
- ✓ Embedded basket guides

Double-Walled (Ultra ISO)

- ✓ Double-Walled Structure: thermo-acoustic insulation to attenuate the sound level and improve energy efficiency

Hydroblade™ washing arms

- ✓ Redesigned nozzles for greater washing performance.
- ✓ The “monoblock” design delivers durability and resistance to impacts.
- ✓ 30% savings in water consumption during rinsing compared to the previous range.

3-stage filter system: surface, tank and extraction

- ✓ Keeps the washing water in optimal conditions to maintain constant washing performance.
- ✓ The surface filters feature an “easy-on” design and can be quickly





GLASSWASHER UX-40SB 230/50/1

Rack size 400x400mm and door clearance 300 mm. Double-skinned construction.



P/N 1303136

Loading

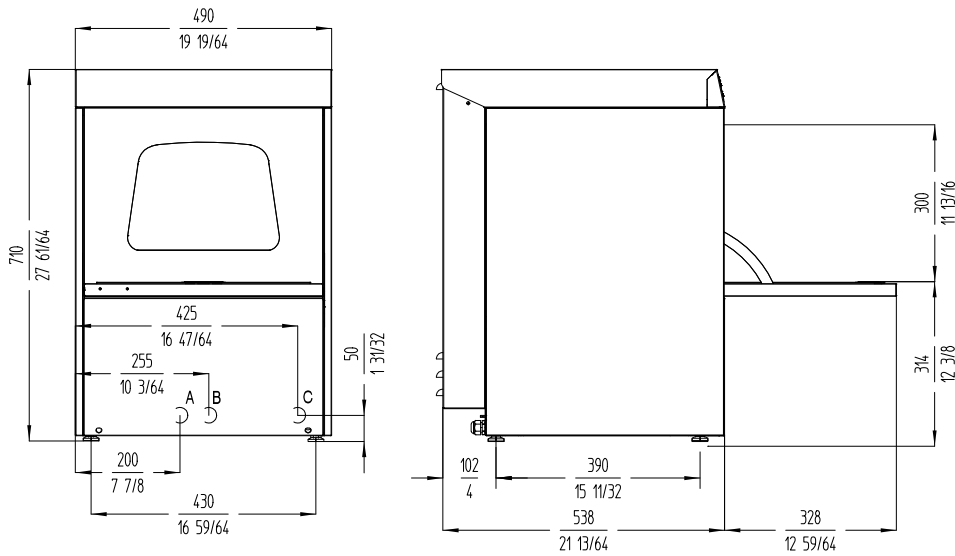
- ✓ Pump: 250 W / 0.33 Hp
 - ✓ Tank: 1200 W
 - ✓ Boiler: 2500 W
 - ✓ Total loading: 2750 W
- Electrical supply: 230 V / 50 Hz / 1 ~ (12 A)

External dimensions (WxDxH)

- ✓ Width: 490 mm

- ✓ Depth: 540 mm
 - ✓ Height: 710 mm
- Net weight: 41.5 Kg
Noise level (1m.): <69 dB(A)

Crated dimensions
525 x 615 x 820 mm
Gross weight: 47.5 Kg



A: Entrada de agua 3/4" GAS.
B: Tubo de desague Ø30 mm.
C: Cable conexión

WARE WASHING
COMMERCIAL GLASSWASHERS



www.sammic.co.uk

Food Service Equipment Manufacturer

Unit 2, Trevanah Road
Troon Industrial Park
LE4 9LS - Leicester

uksales@sammic.com
Tel.: +44 0116 246 1900



Project

Date

Item

Qty

Approved

product sheet
updated 07/02/2022