

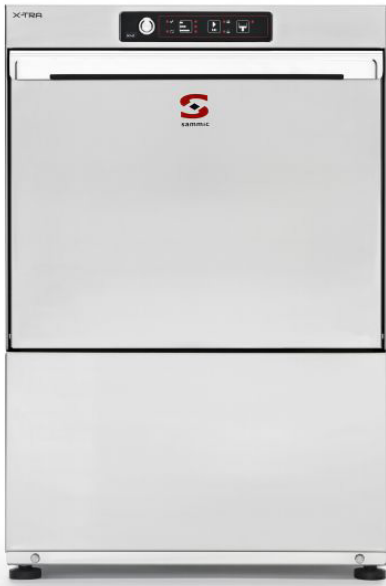


# GLASSWASHER X-41

400x400mm racks. Max. loading height: 280mm



WARE WASHING  
COMMERCIAL GLASSWASHERS



## FEATURES AND BENEFITS

- ✓ For washing glasses, cups, cutlery and small plates.
- ✓ 3 wash cycles with final cold rinse.
- ✓ Manufactured from catering grade AISI 304 2B stainless steel and incorporating top quality components.
- ✓ Double skinned door with high efficiency seal, ensuring thermal and acoustic insulation. Magnetic door micro-switch.
- ✓ Removable stainless steel rack holders ensure even distribution of wash water without dead zones. Precision positioned water jets guarantee optimum washing result for even the most stubbornly stained glasses. Easy to assemble, boltless rinse spray arms.
- ✓ Rinsing dispensers without screws, easy assembly and simple and clean look.
- ✓ A double filter system provides effective wash pump protection that is easily removed (for maintenance and cleaning) and replaced, without tools.
- ✓ Completely rounded, stainless steel wire rack support and guide.
- ✓ Automatic rinse aid dosing equipment.
- ✓ Electronic control panel with anti-moisture seal.
- ✓ Adjustable washing tank and boiler temperature and security in the boiler.
- ✓ Rinse boiler temperature adjustment and a thermal cycle delay option, guaranteeing a minimum final rinse temperature of 85°C for each and every rinse cycle.
- ✓ Sammic ware washers are designed for easy and fast on-site maintenance.

## SALES DESCRIPTION

Top + bottom wash arms. 3 wash cycles. Cold rinse facility. Option of built-in water softener.

- ✓ Best performance.
- ✓ Optimal washing results.
- ✓ Sturdy and reliable.
- ✓ Stainless steel, sturdy and resistant washing arms. Don't get damaged because of chemical corrosion.
- ✓ 2.8 kW boiler: optimal recovery time.
- ✓ Full optional list.

## INCLUDES

- ✓ Rinse aid pump.
- ✓ 1 mixed basket.
- ✓ 1 open basket.
- ✓ 1 small cutlery basket.



**sammic** | [www.sammic.com](http://www.sammic.com)  
Food Service Equipment Manufacturer

Polígono Basarte, 1. phone +34 943 15 72 36  
20720 Azkoitia, Spain [sales@sammic.com](mailto:sales@sammic.com)



Project	Date
Item	Qty
Approved	

product sheet  
updated 24/04/2018



# GLASSWASHER X-41

400x400mm racks. Max. loading height: 280mm



## SPECIFICATIONS

Basket dimensions: 400 mm x 400 mm

Maximum glass height: 280 mm

Cycle duration: 90 " / 120 " / 150 "

Production baskets/hour: 40 / 30 / 24

Boiler capacity: 4.5 l

Wash tank capacity: 16 l

Water consumption/cycle: 2.2 l

### Loading

✓ Pump: 240 W / 0.33 Hp

✓ Tank: 1500 W

✓ Boiler: 2800 W

✓ Total loading: 3040 W

✓

### External dimensions (WxDxH)

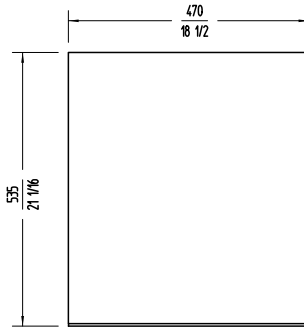
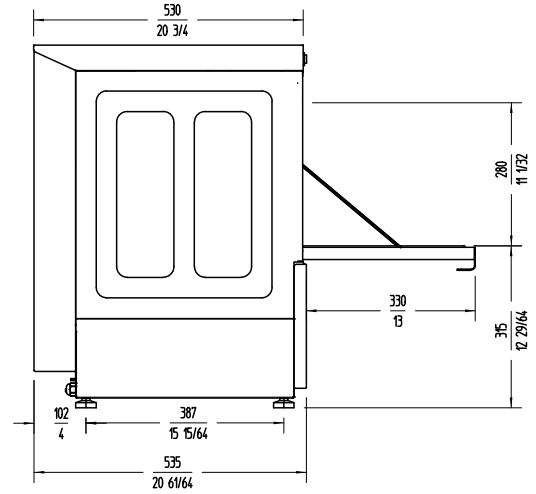
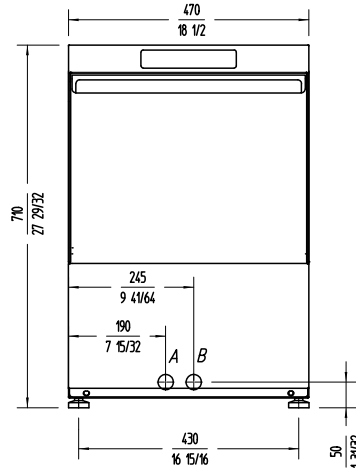
✓ Width: 470 mm

✓ Depth: 535 mm

✓ Height: 710 mm

Net weight: 42 Kg

Noise level (1m.): <70 dB(A)



## AVAILABLE MODELS

1302020 Glasswasher X-41 230/50/1

1302024 Glasswasher X-41B 230/50/1 (with drain pump)

1302028 Glasswasher X-41D 230/50/1 (built-in water softener)

1302032 Glasswasher X-41BD 230/50/1 (built-in water softener and drain pump)

\* Ask for special versions availability

## ACCESSORIES

- Stands for glass- and dishwashers
- Dosing equipments
- Manual water softeners
- Automatic water softeners
- 400X400 mm. baskets
- Inserts, supplements & similar
- High Feet Kit

WARE WASHING  
COMMERCIAL GLASSWASHERS

**sammic** | www.sammic.com  
Food Service Equipment Manufacturer

Polígono Basarte, 1. phone +34 943 15 72 36  
20720 Azkoitia, Spain sales@sammic.com



Project	Date
Item	Qty
Approved	

product sheet  
updated 24/04/2018